

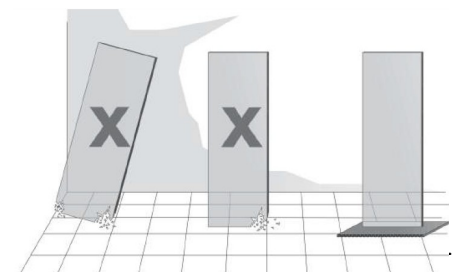
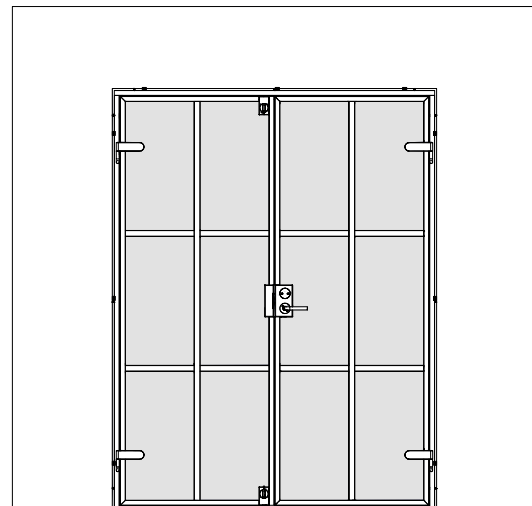
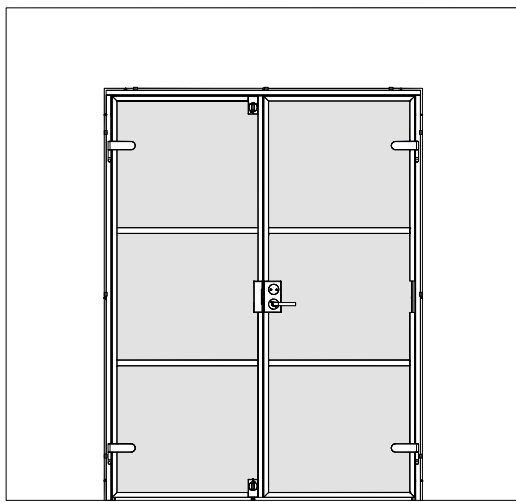
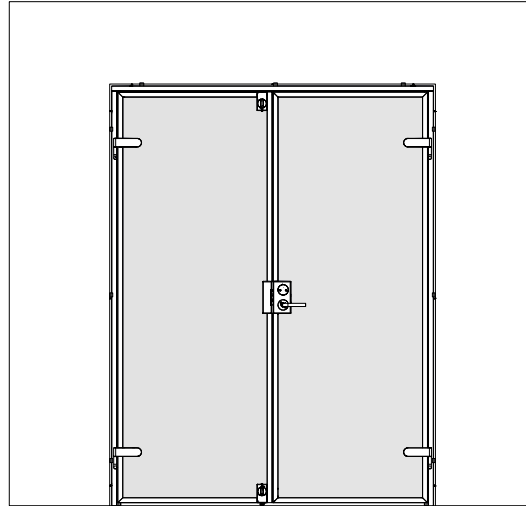


HIETAKARI®



8/25 7JRLM

# M06, M07, M08



# Parts



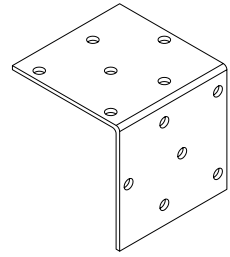
1. 4x90 mm  
x9



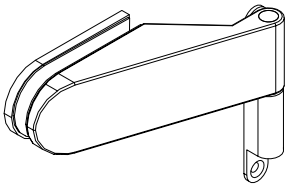
2. 6x35 mm  
x9



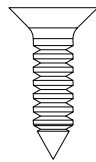
3. 4.2x13 mm  
x12



4. x2



5. x4



6. 4.2x16mm  
x12



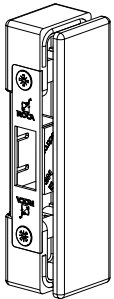
7. x4



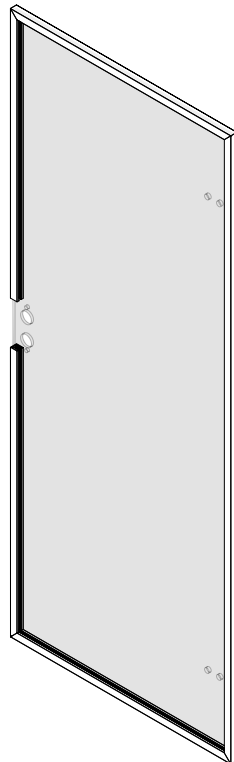
8. x3



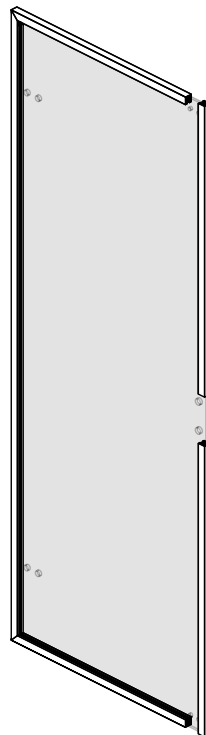
9. x9



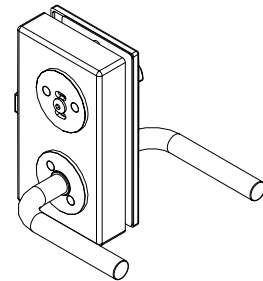
10. x1



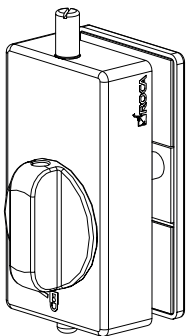
12. x1



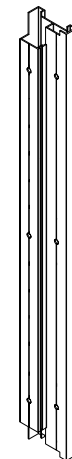
13. x1



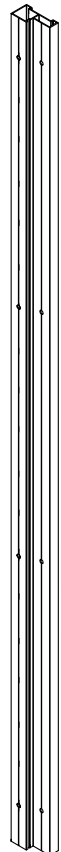
14. x1



11. x2

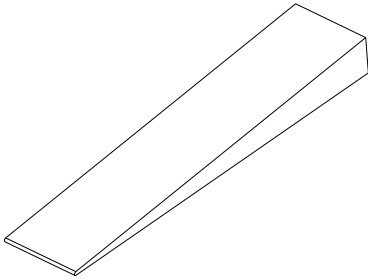


15. x1

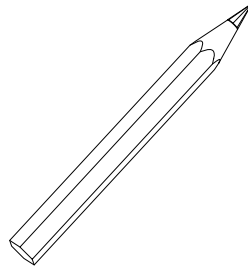


16. x2 2

# Tools



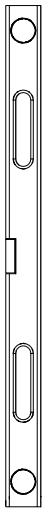
A



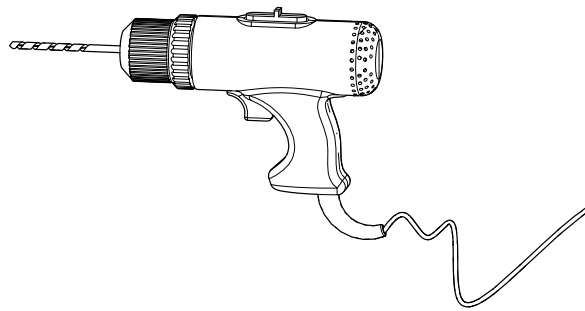
B



C – Mounting foam  
D – Silicone

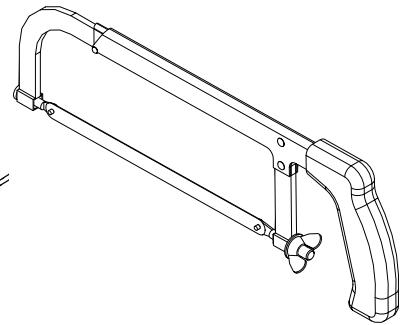


E



Ø6 mm  
Ø10 mm

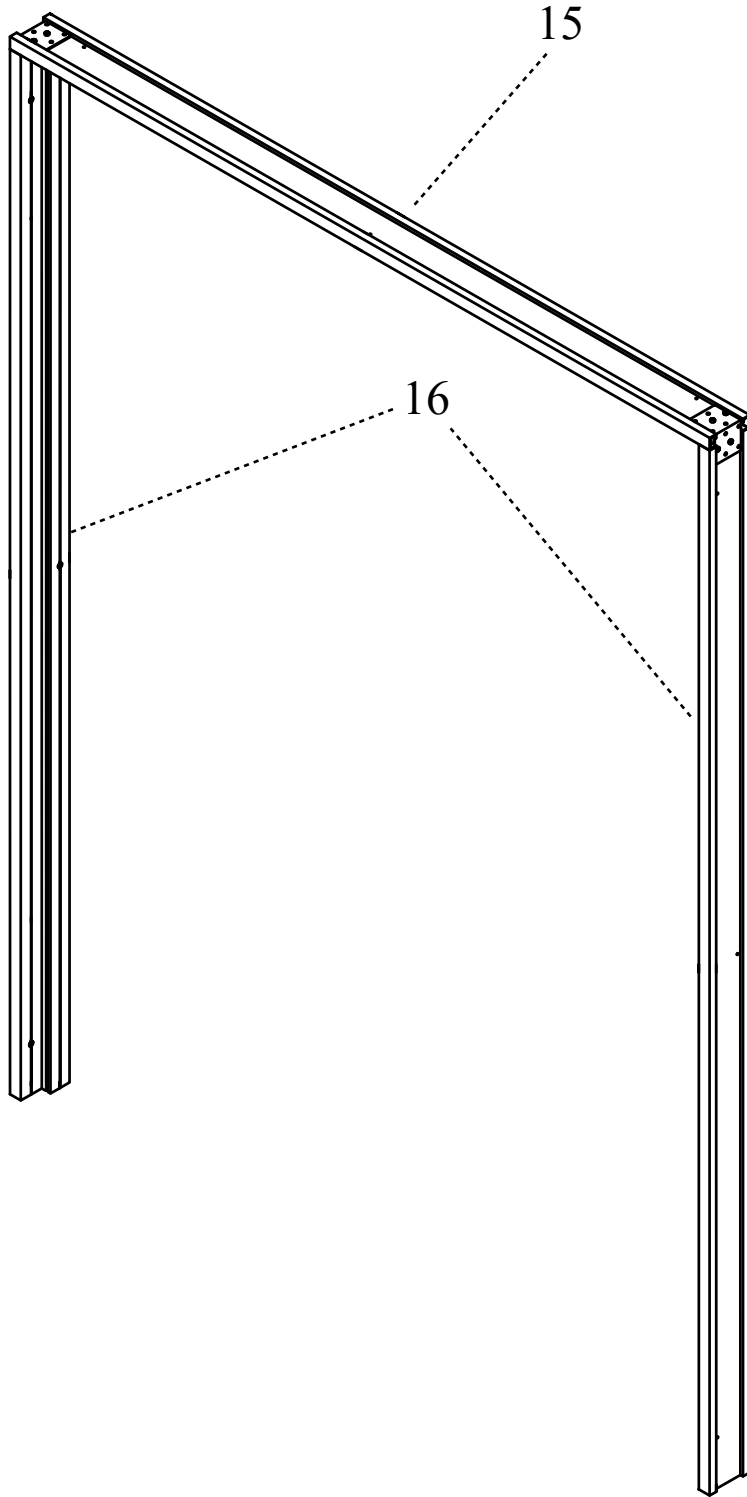
F



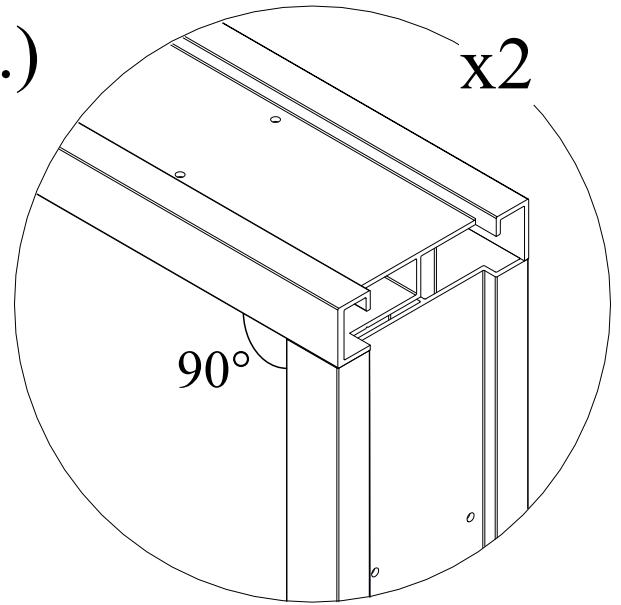
G

1.

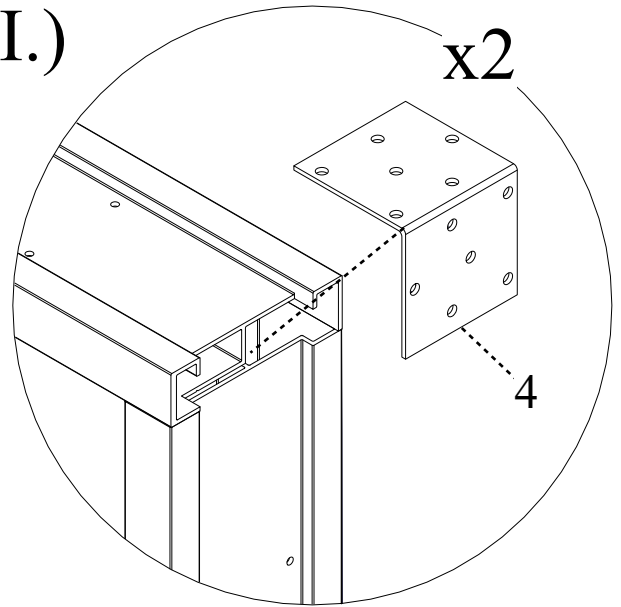
A)



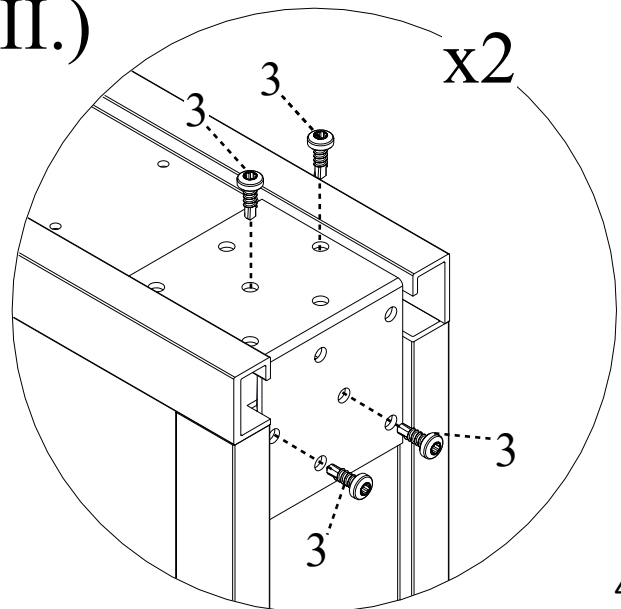
I.)



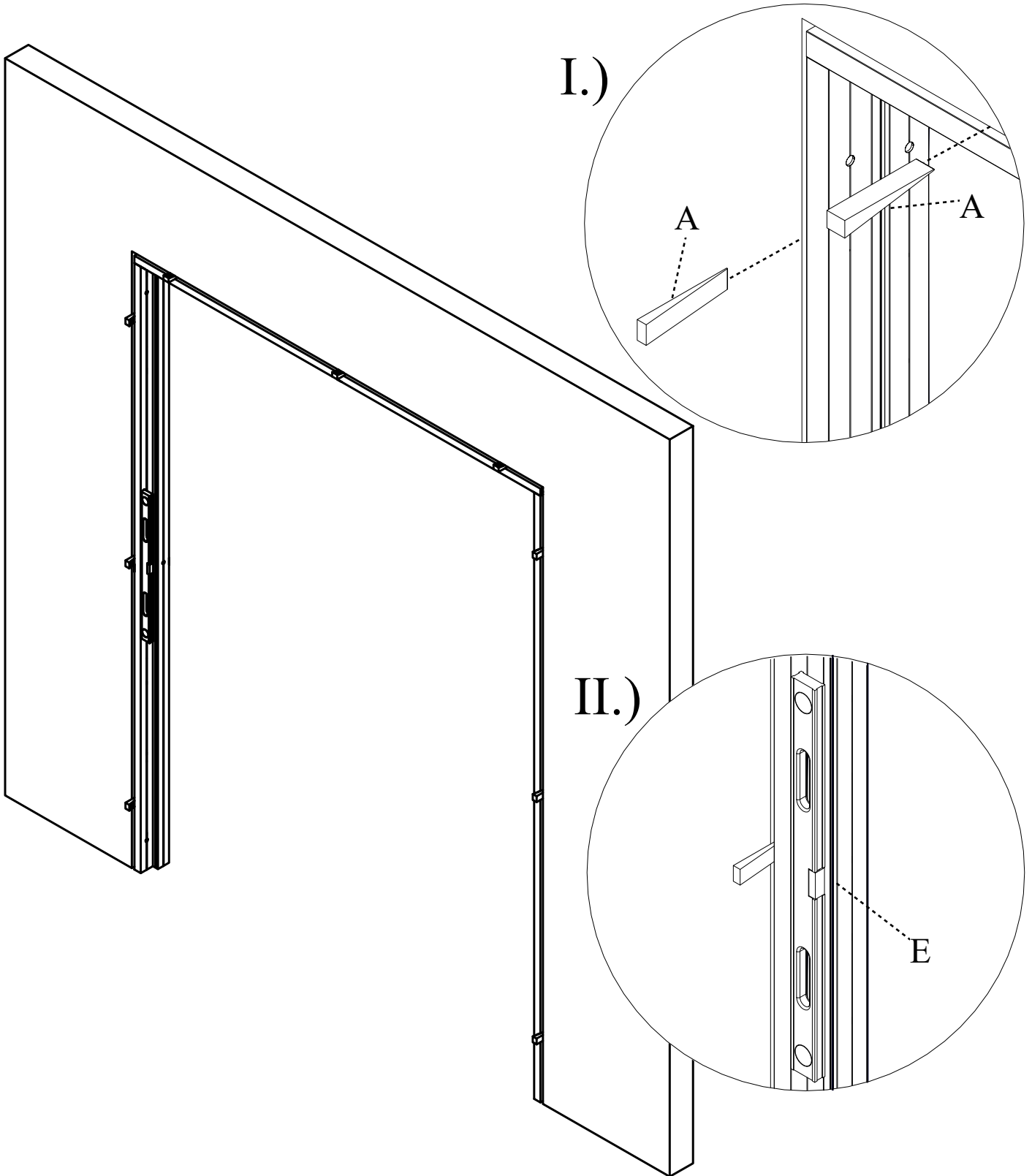
II.)



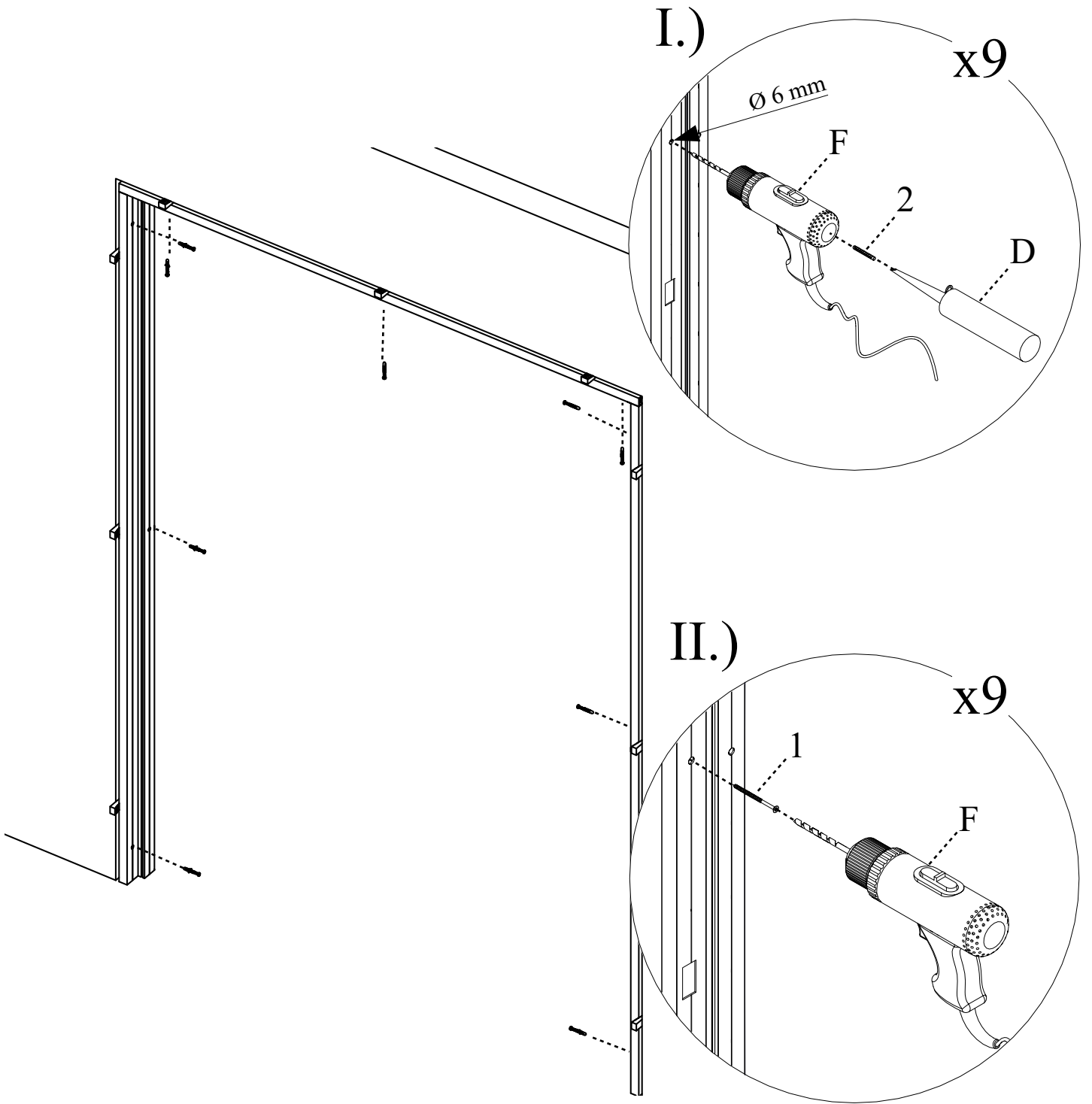
III.)



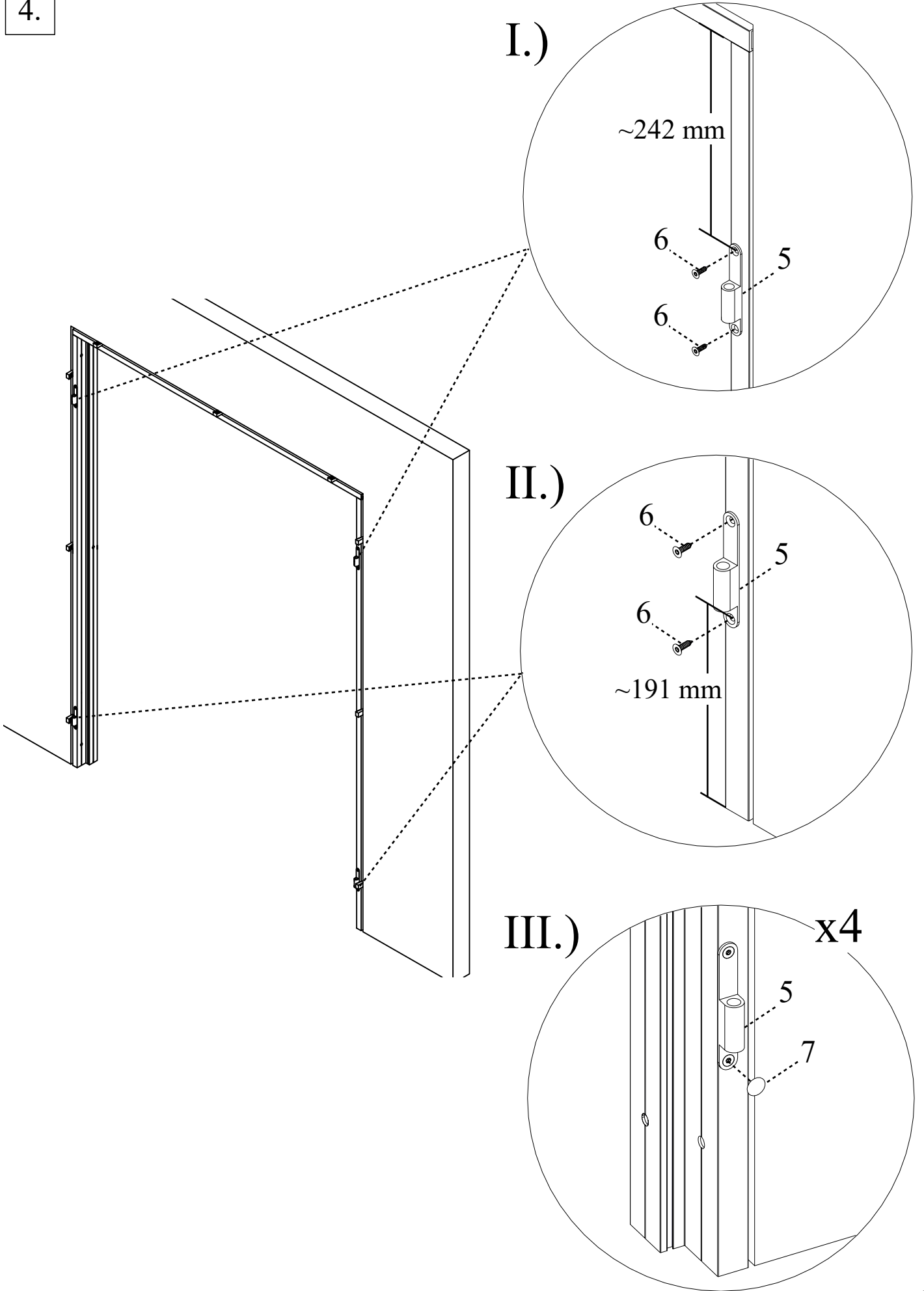
2.



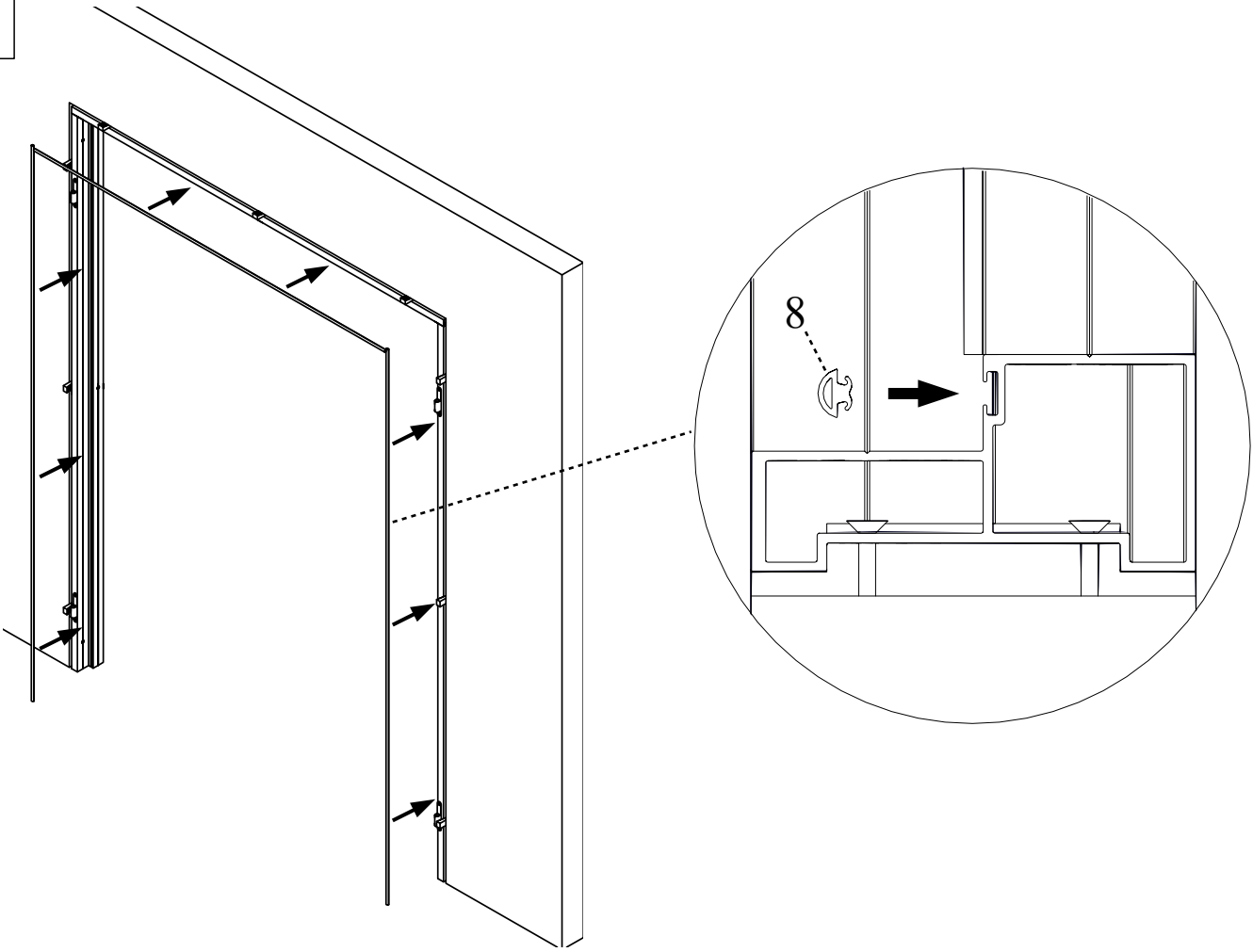
3.



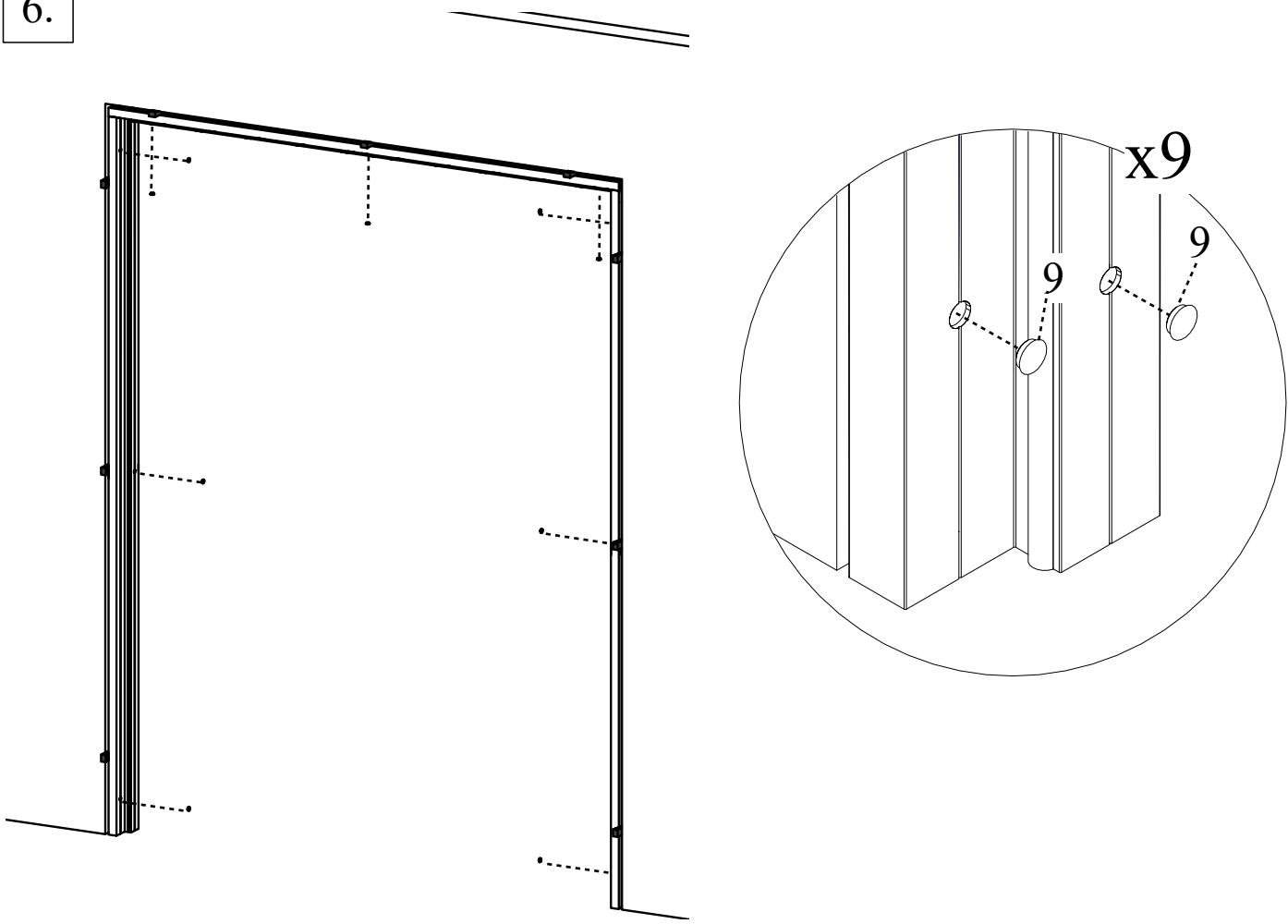
4.



5.

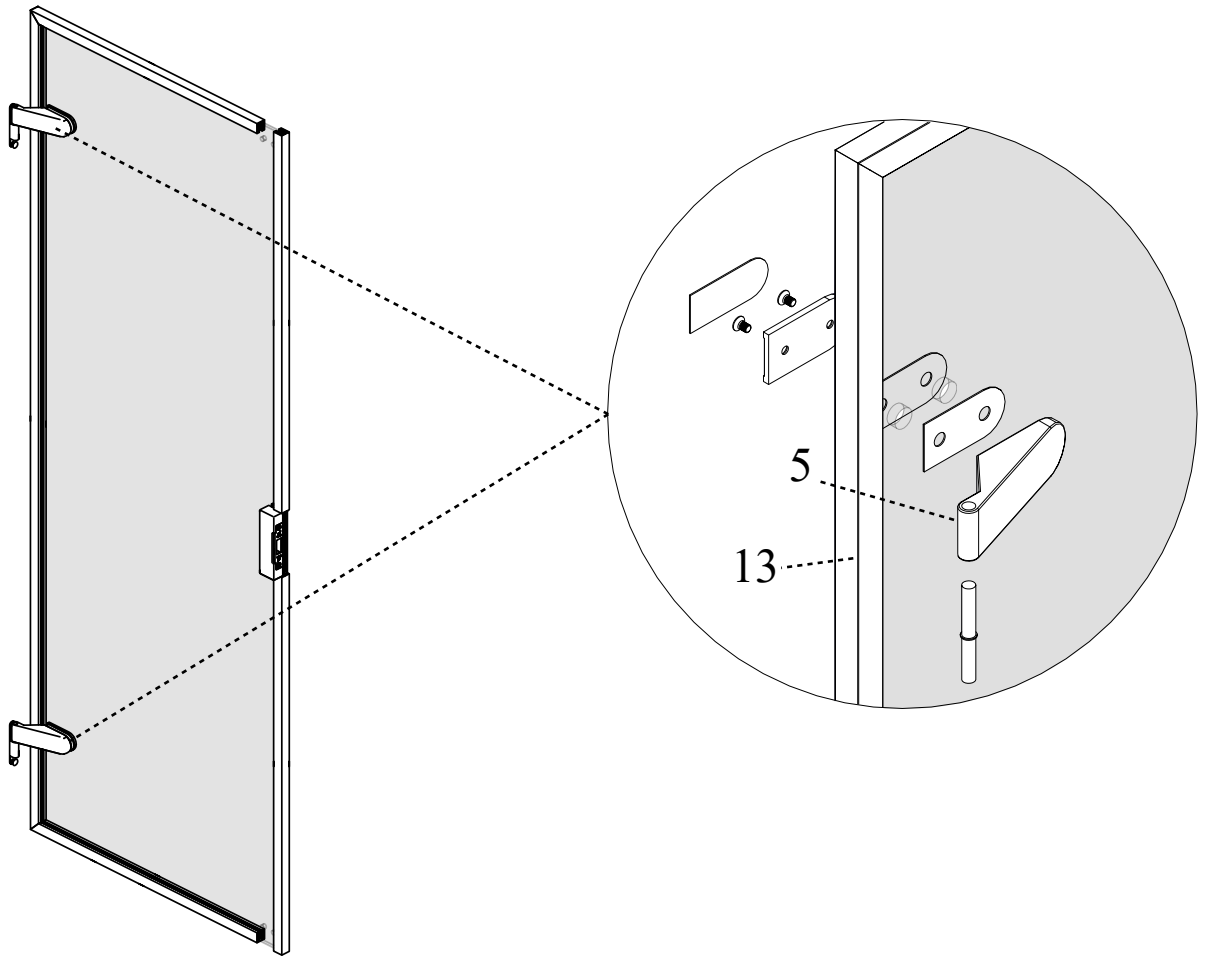


6.

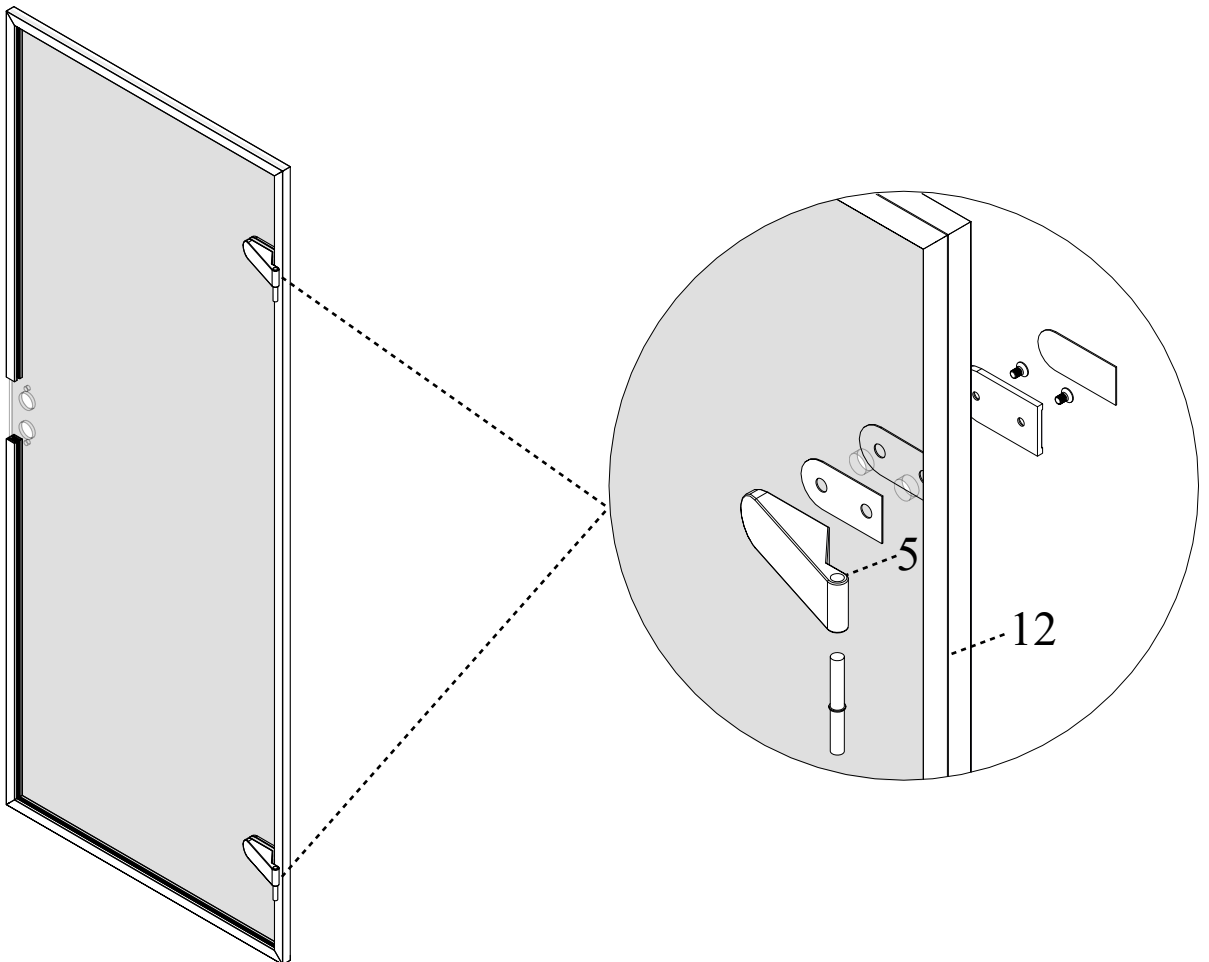




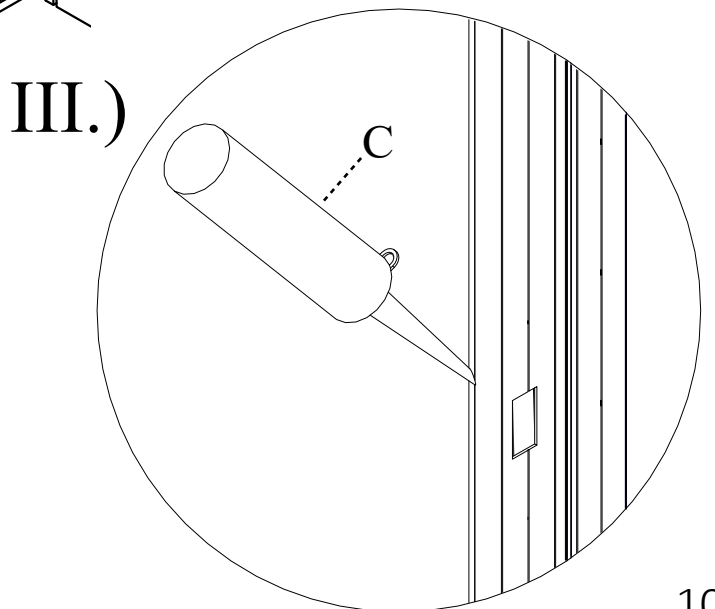
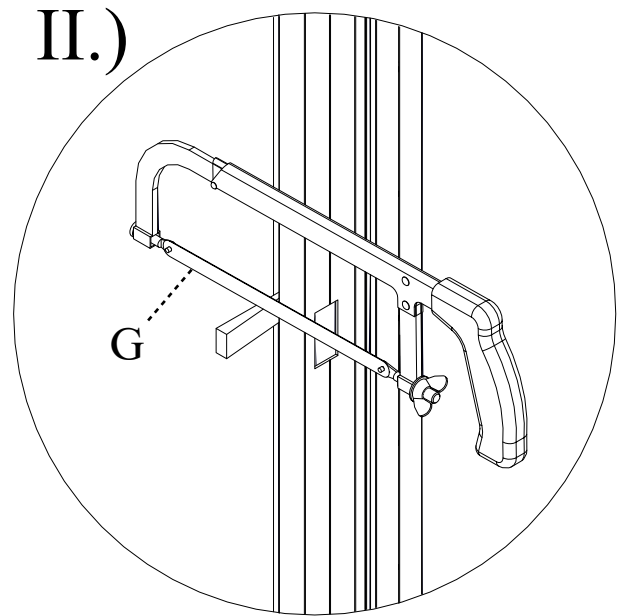
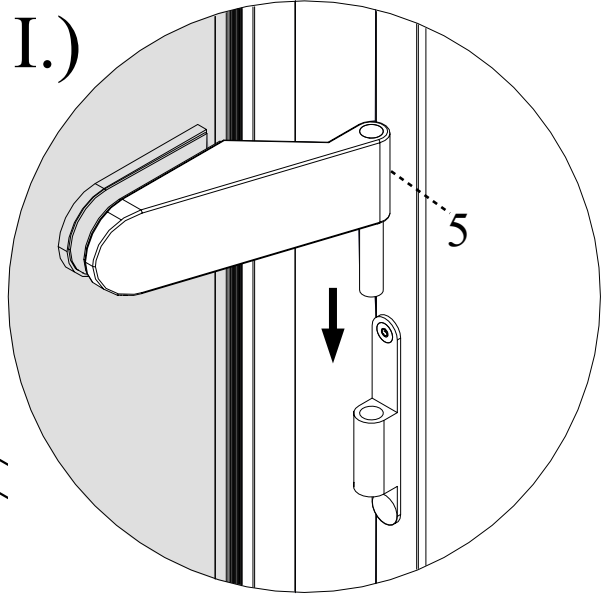
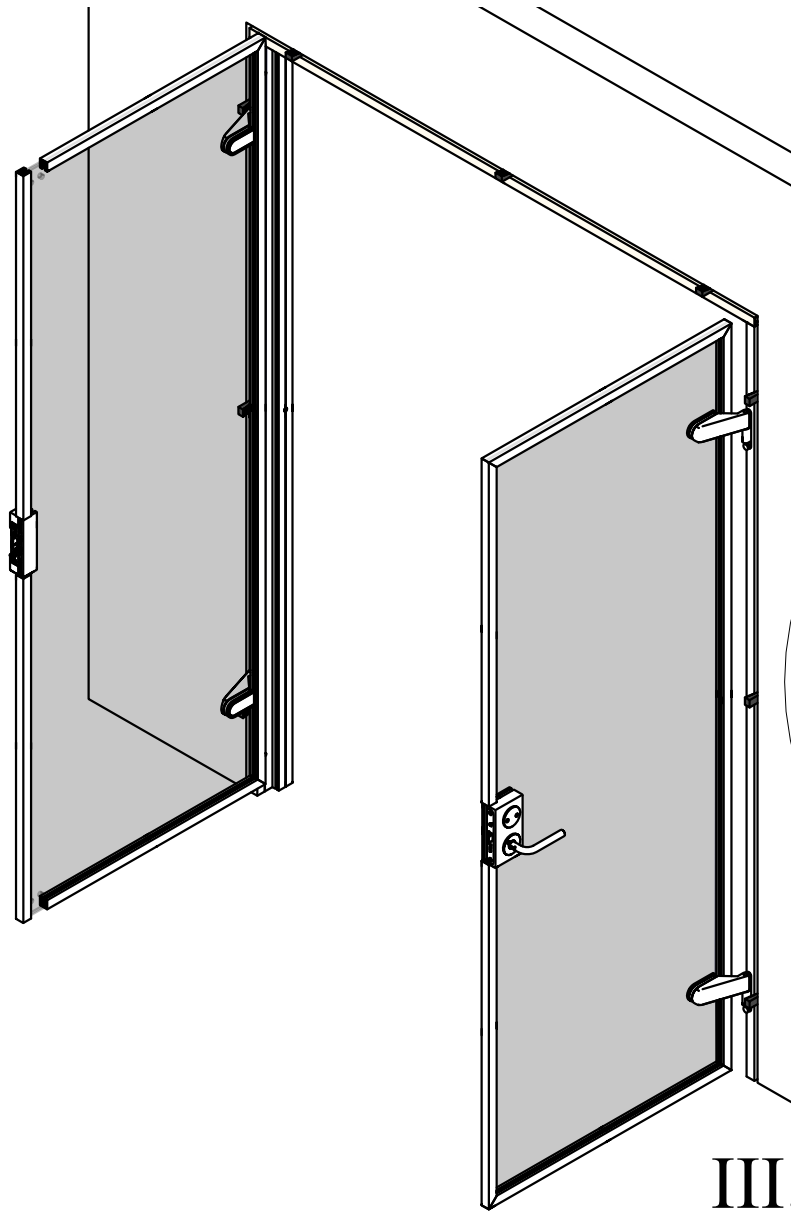
7.

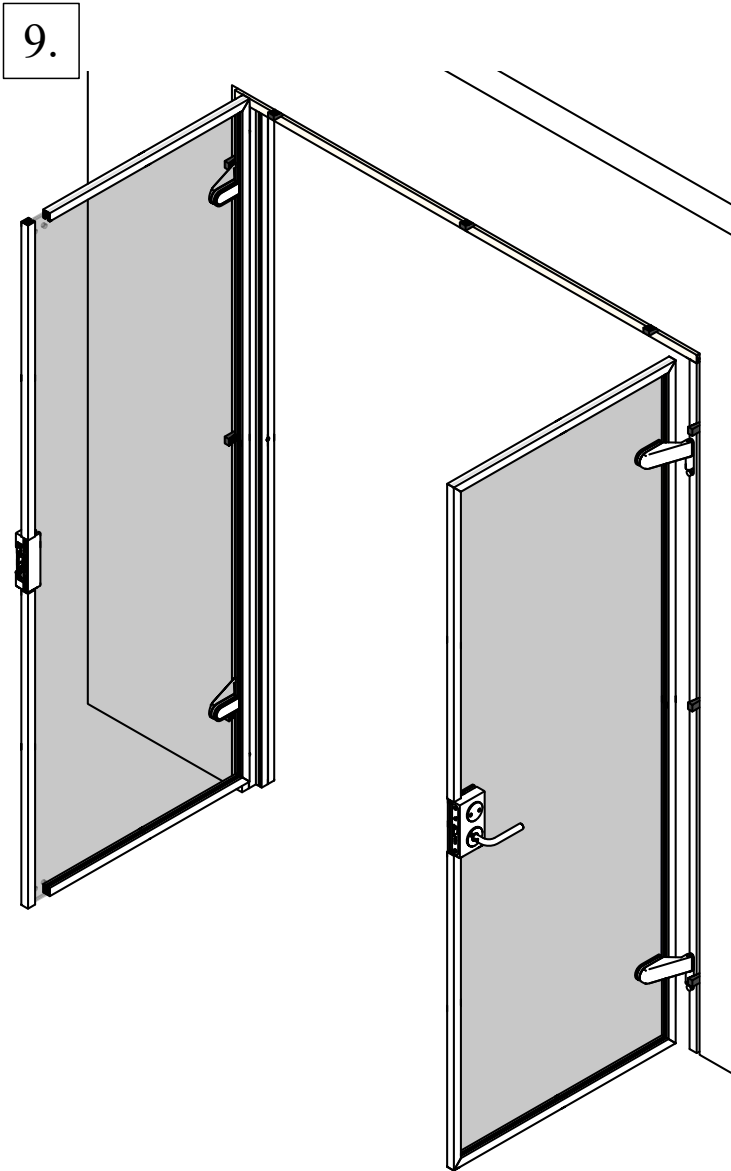


8.

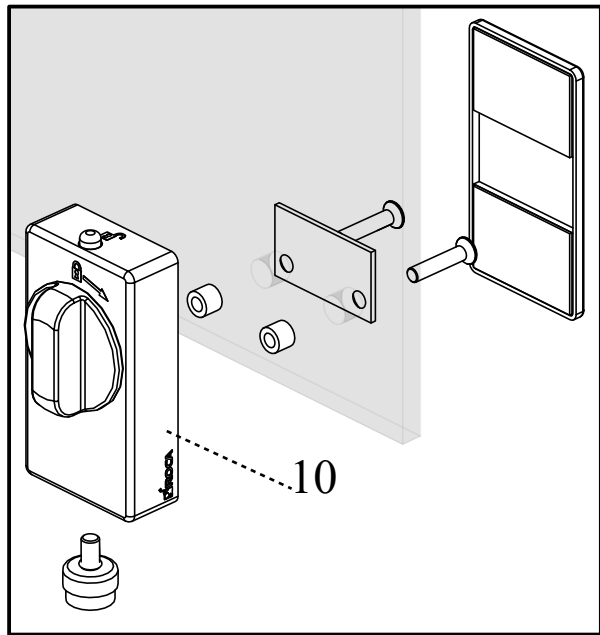


9.

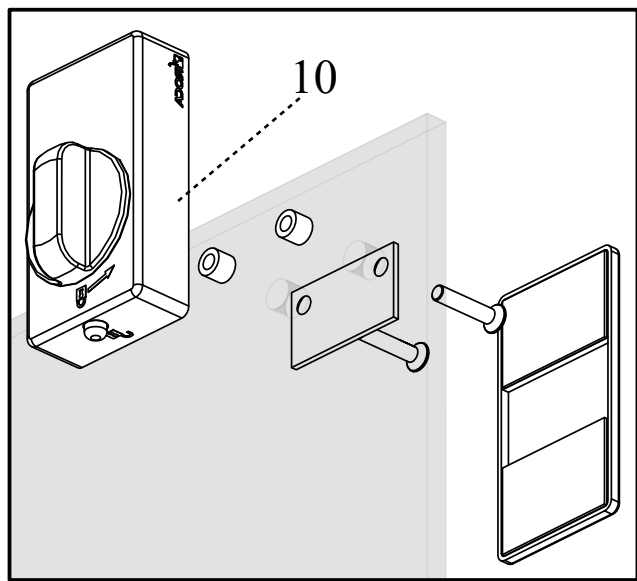




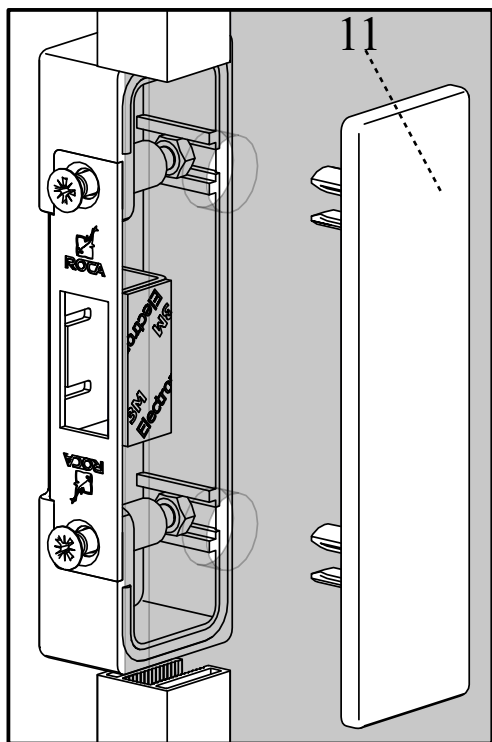
I.)



II.)



IV.)



III.)

