

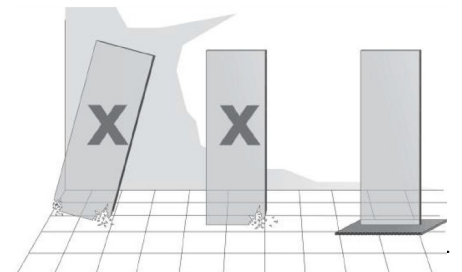
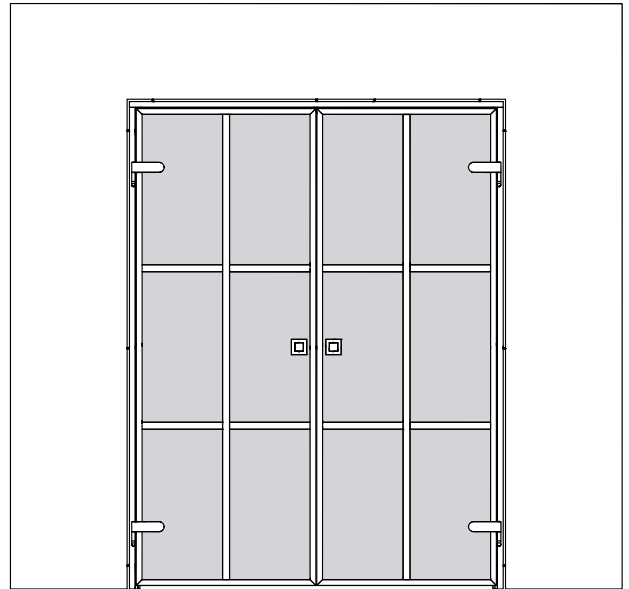
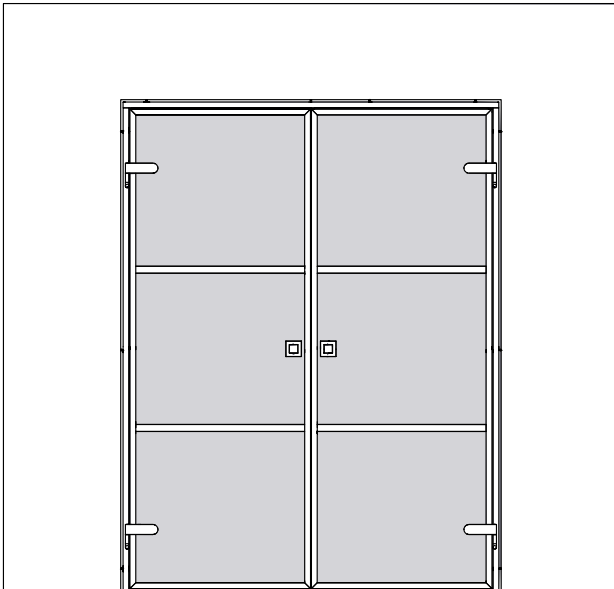
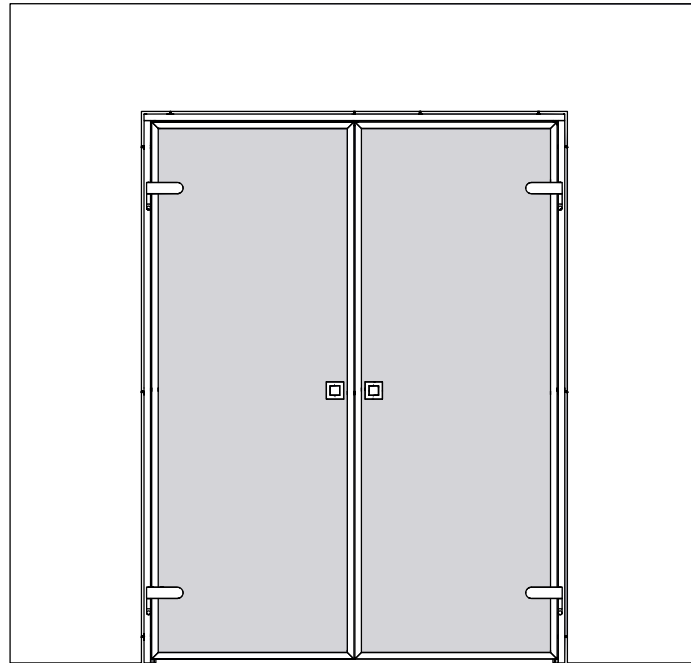


HIETAKARI®



8/25 7KRLM

M09, M10, M11



Parts



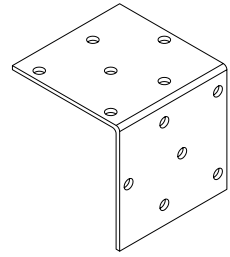
1. 4x90 mm
x9



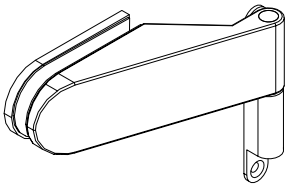
2. 6x35 mm
x9



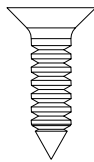
3. 4.2x13 mm
x12



4. x2



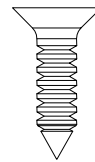
5. x4



6. 4.2x16mm
x6



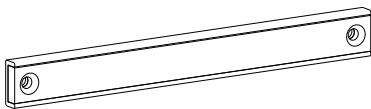
7. x4



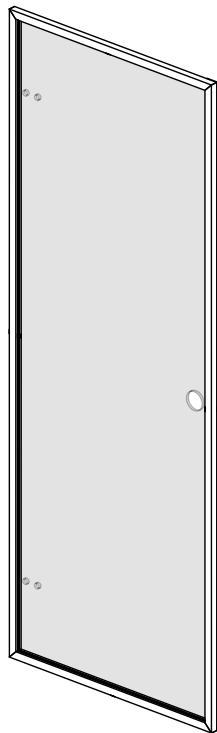
8. 2.8x13mm
x2



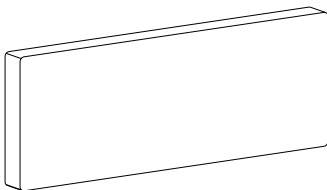
9. x9



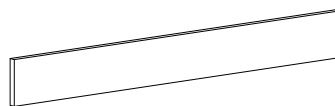
10. x1



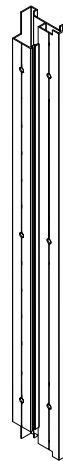
12. x2



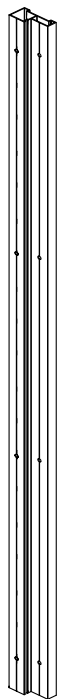
11. x2



13. x1

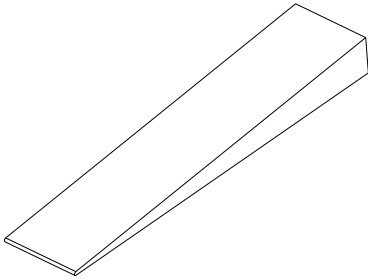


14. x1

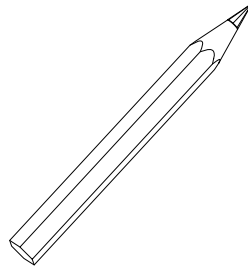


15. x2

Tools



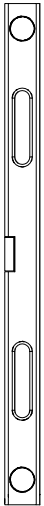
A



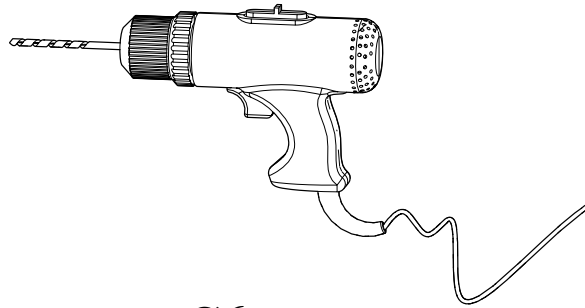
B



C – Mounting foam
D – Silicone

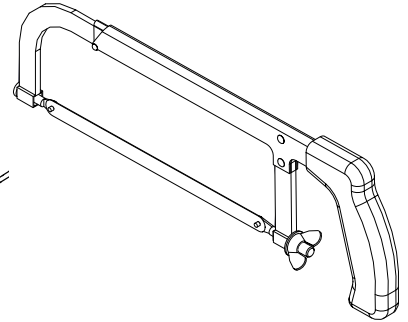


E



Ø6 mm
Ø2.5 mm

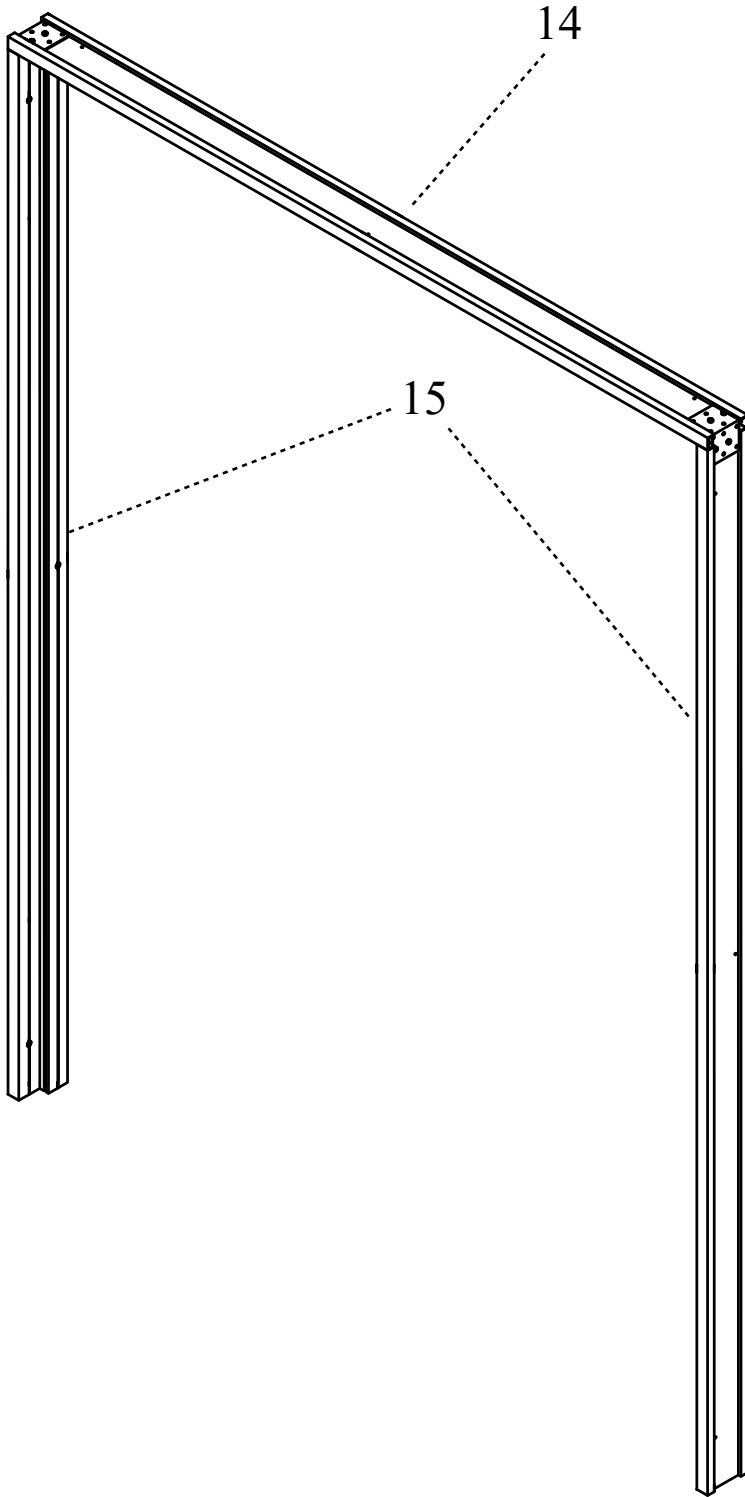
F



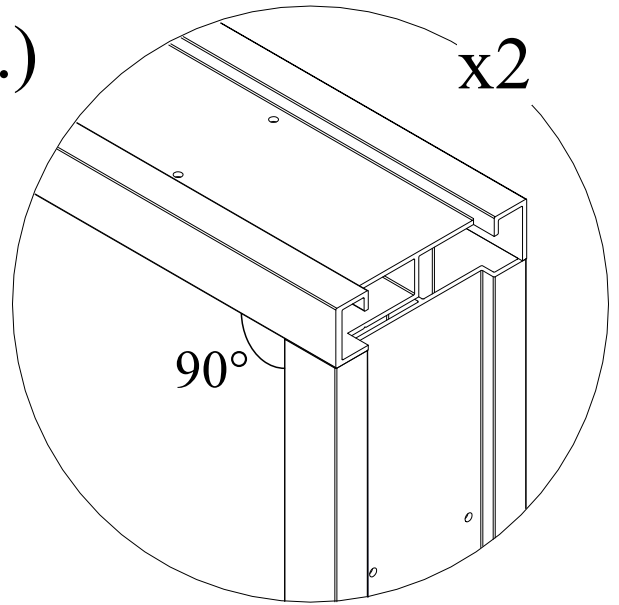
G

1.

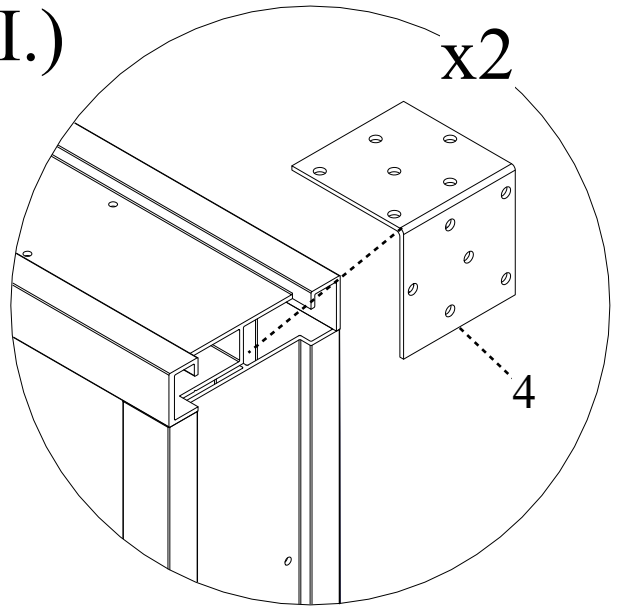
A)



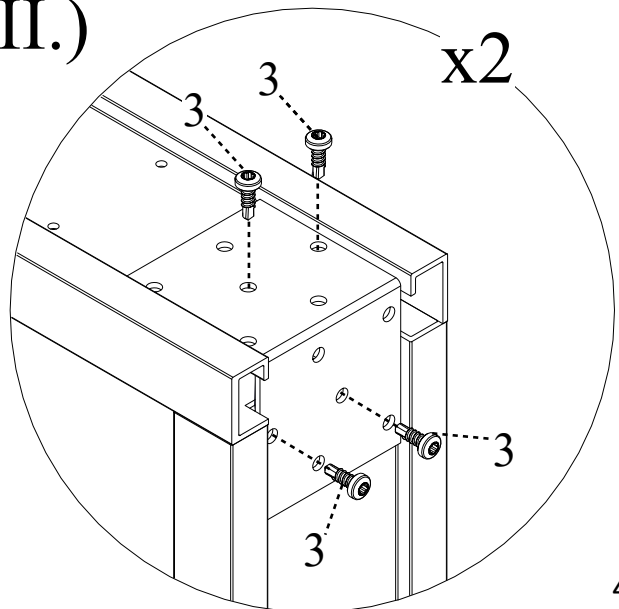
I.)



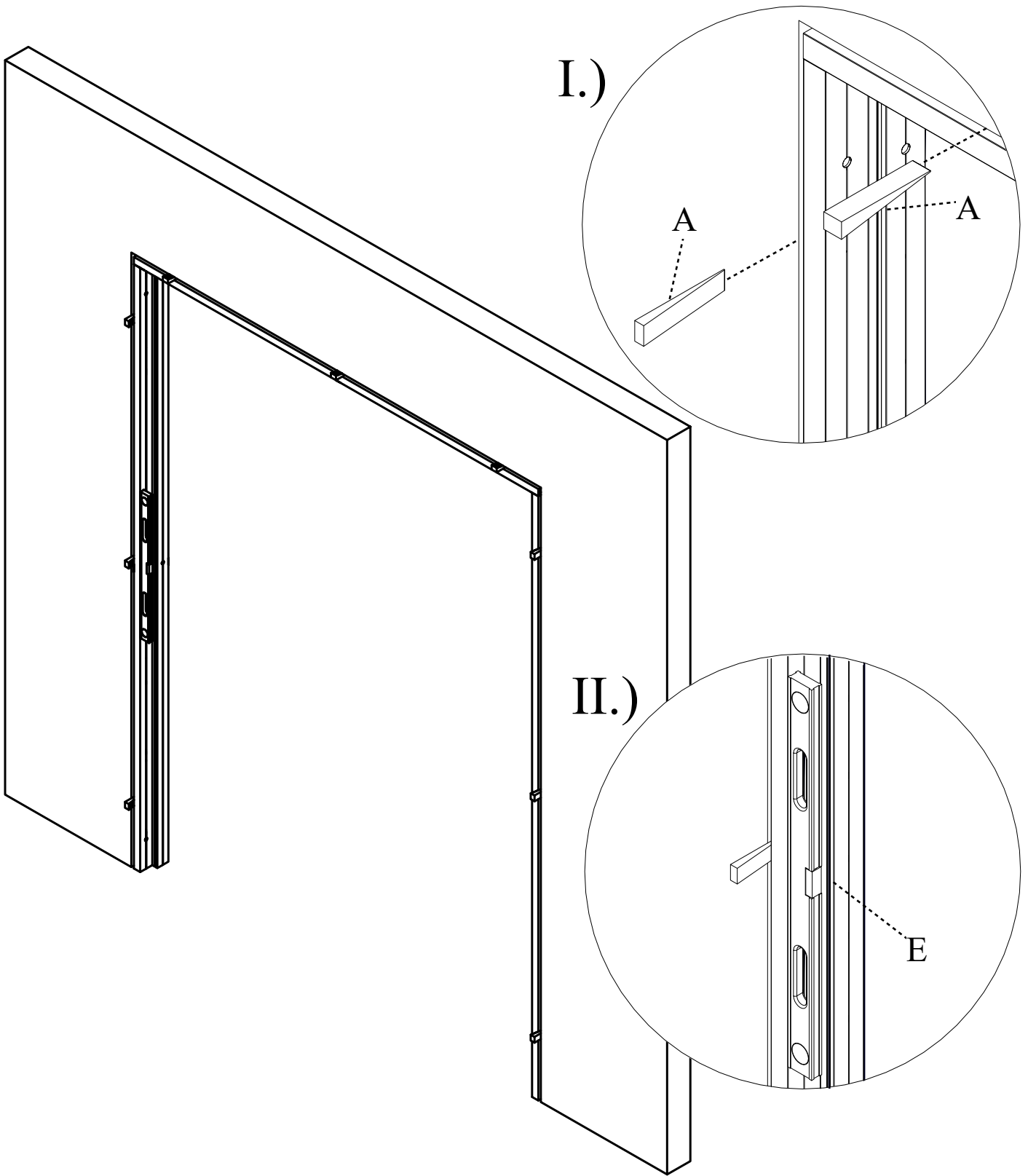
II.)



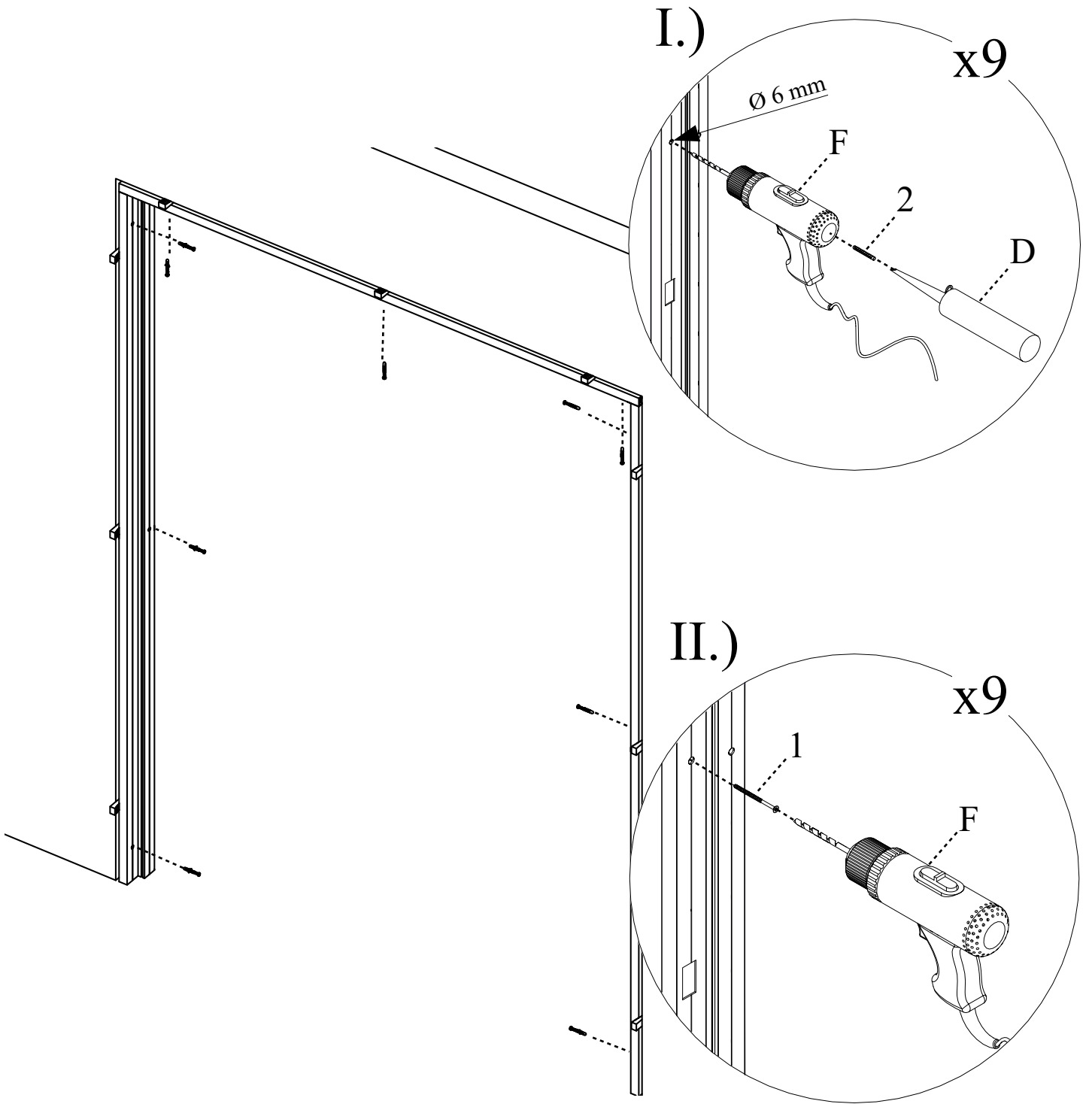
III.)



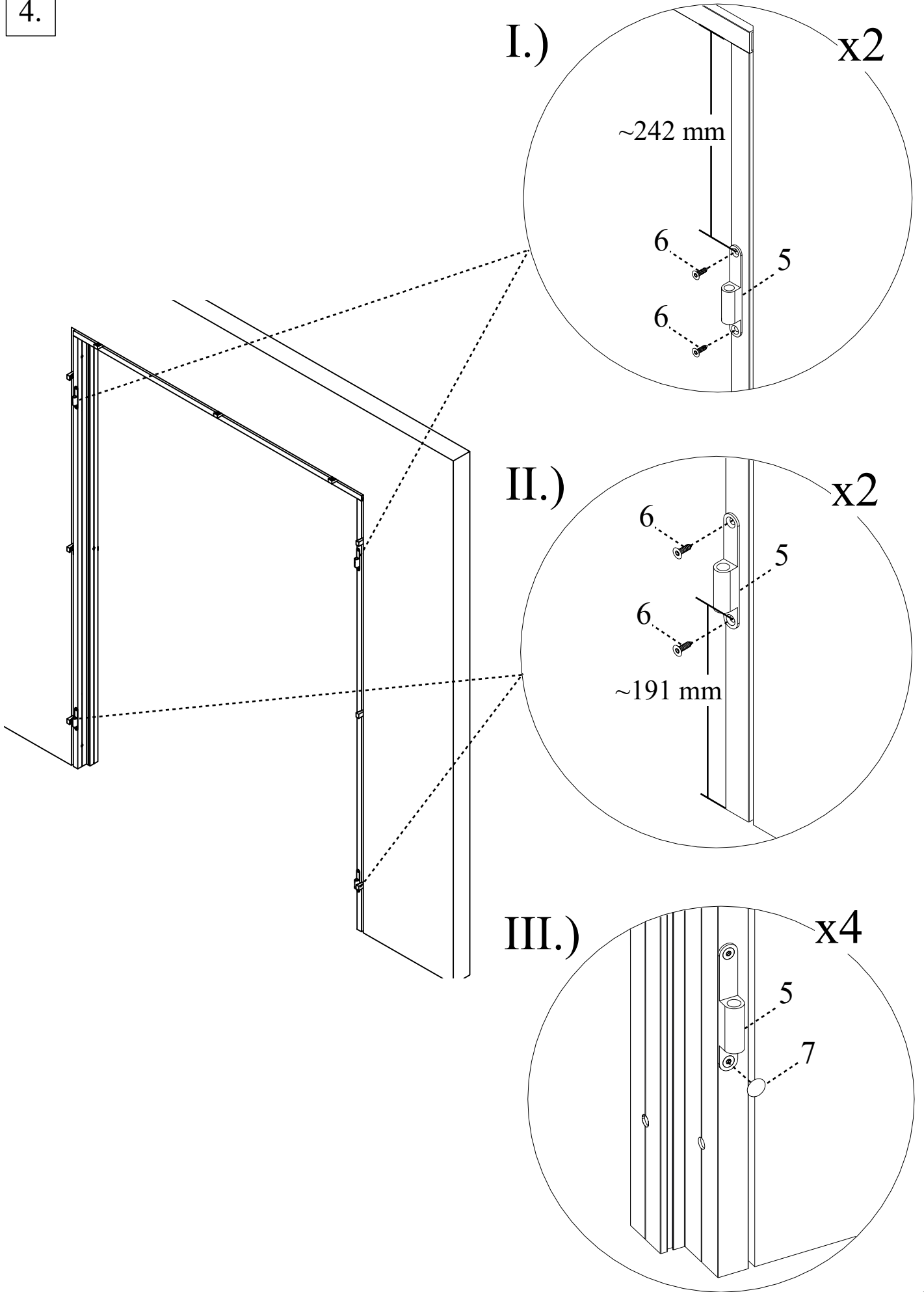
2.



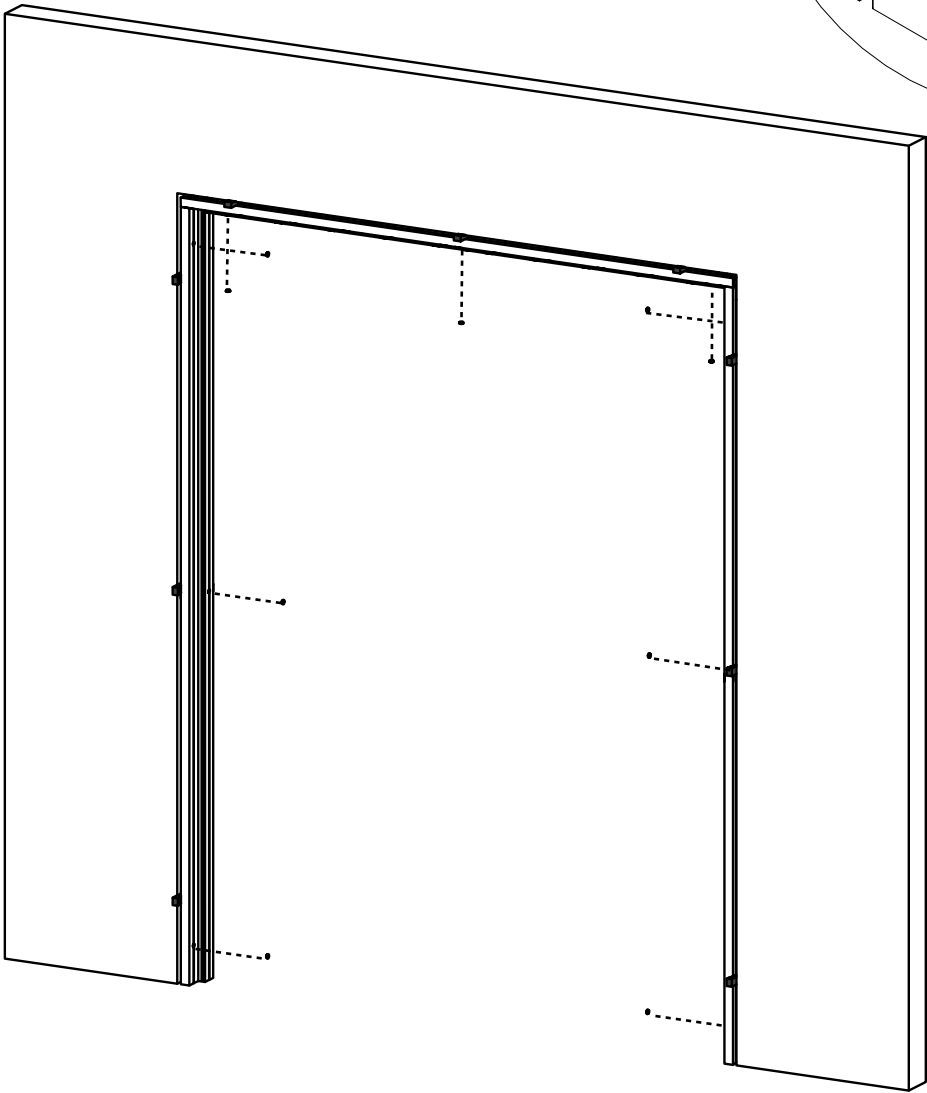
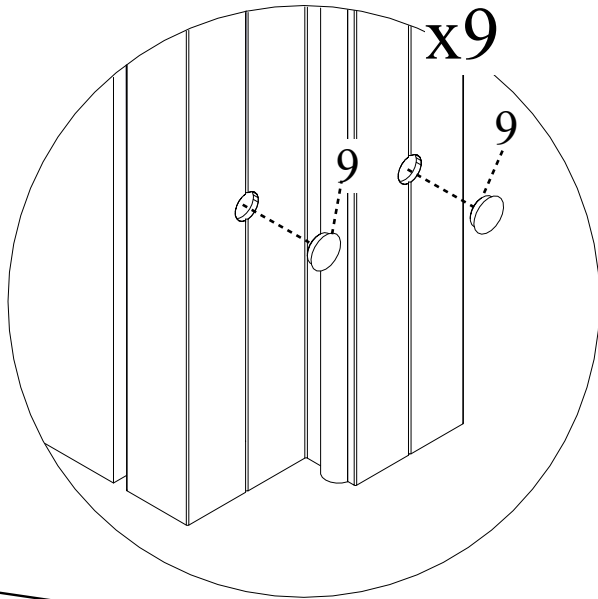
3.



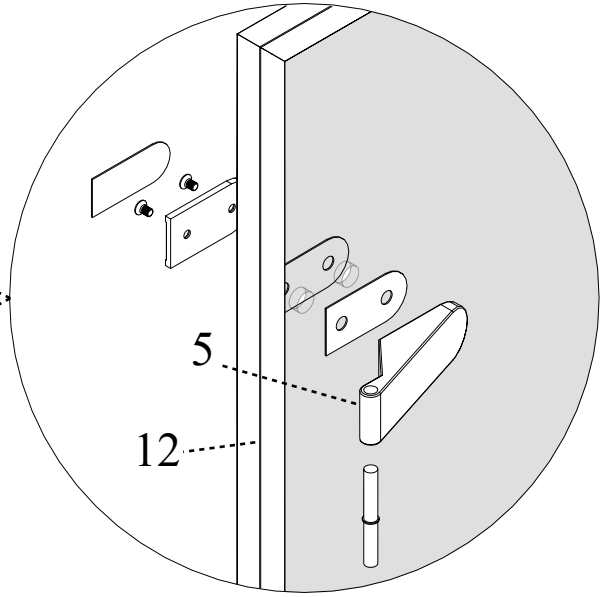
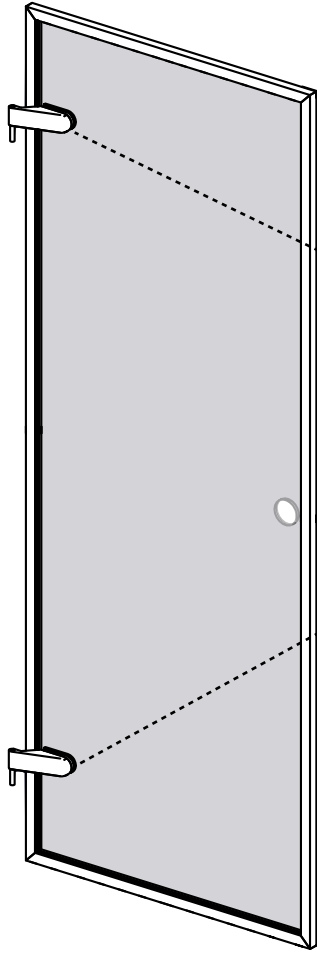
4.



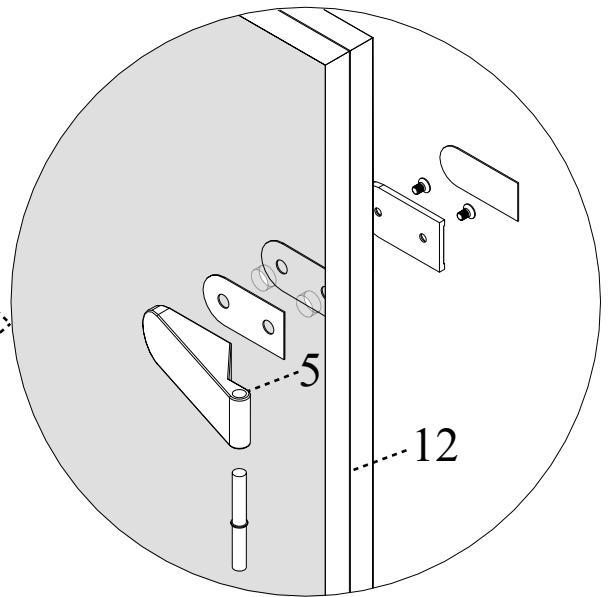
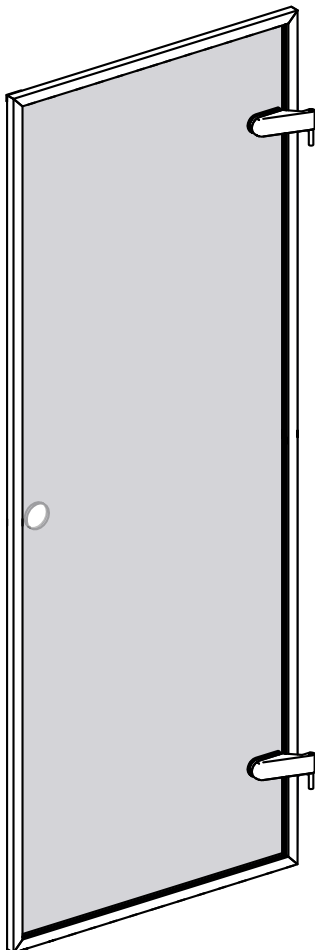
5.



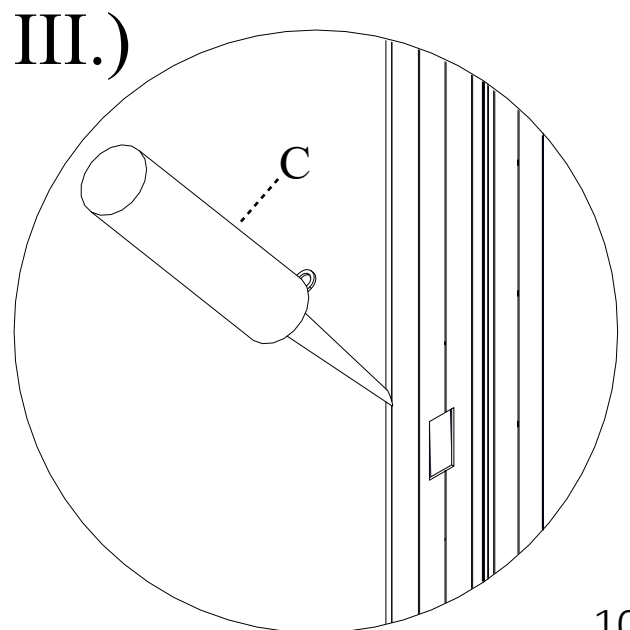
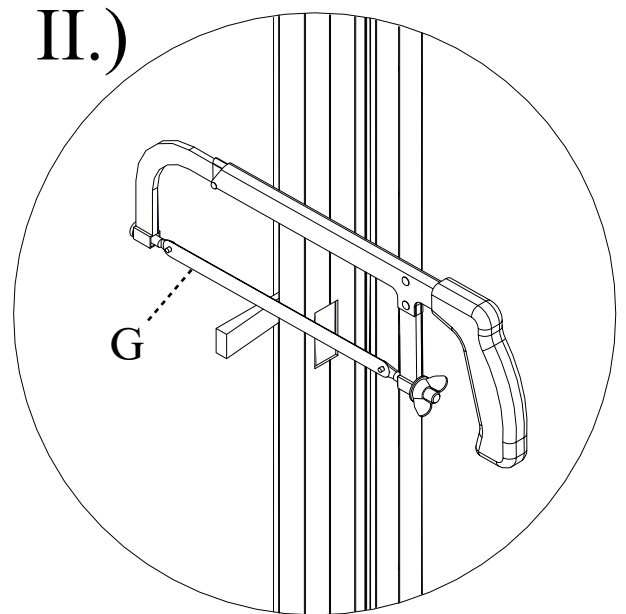
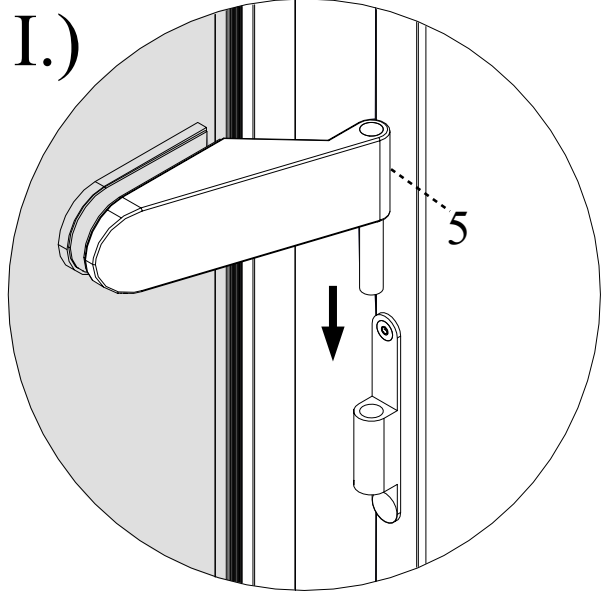
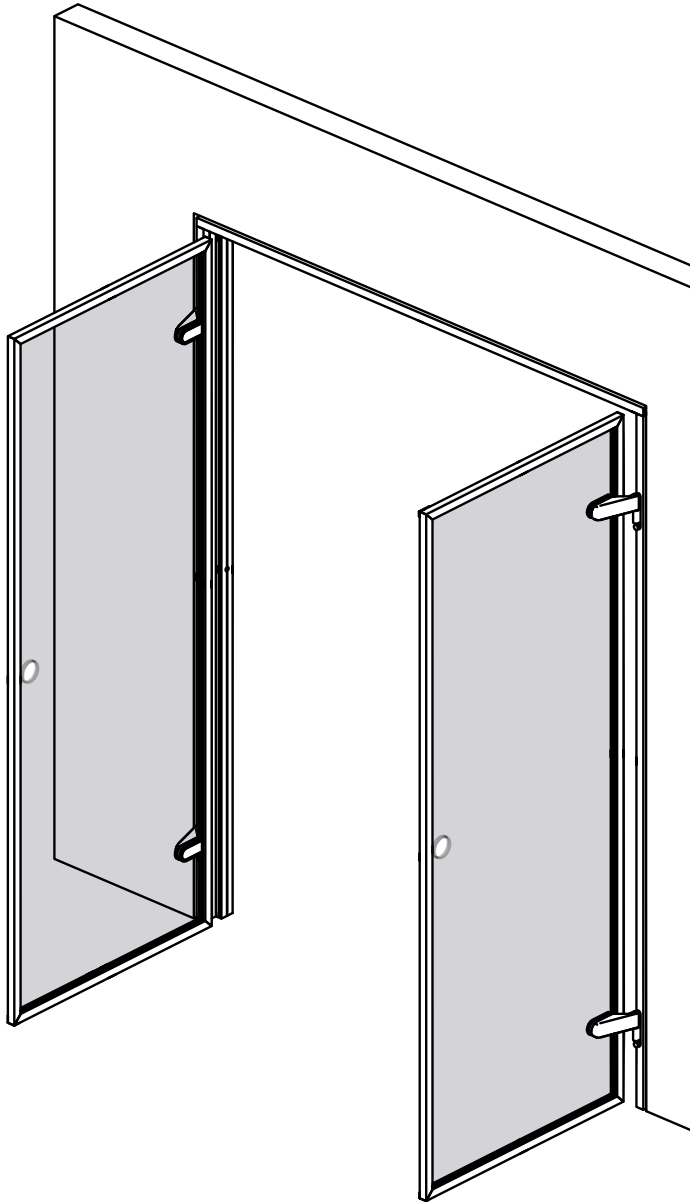
6.



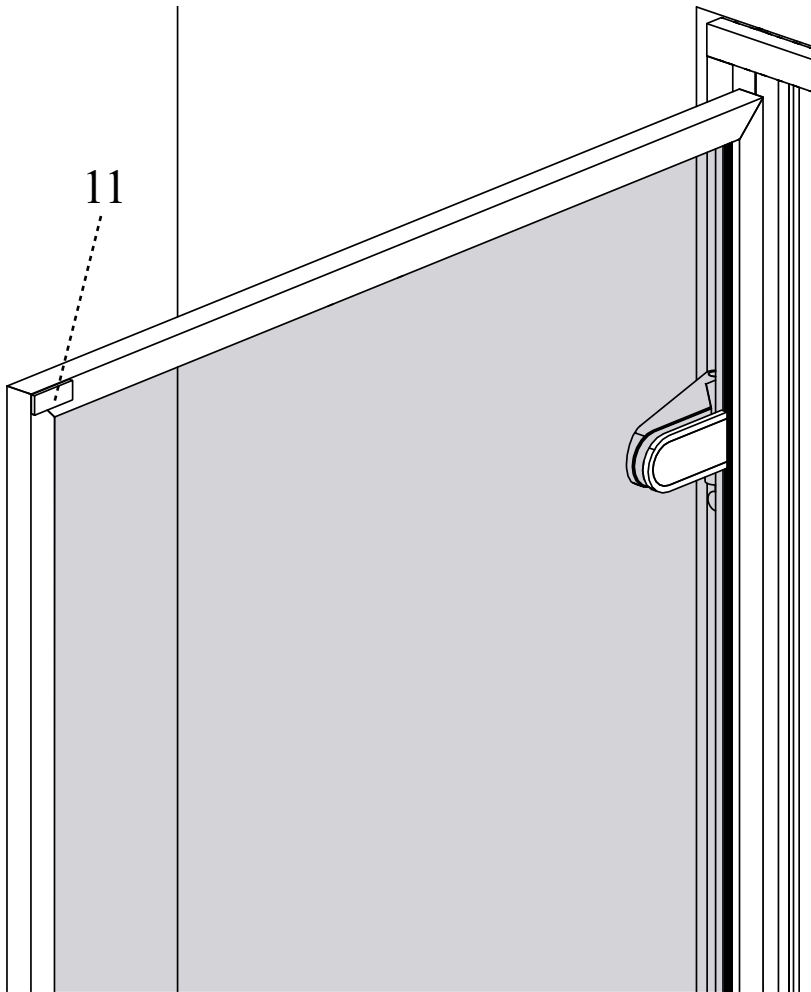
7.



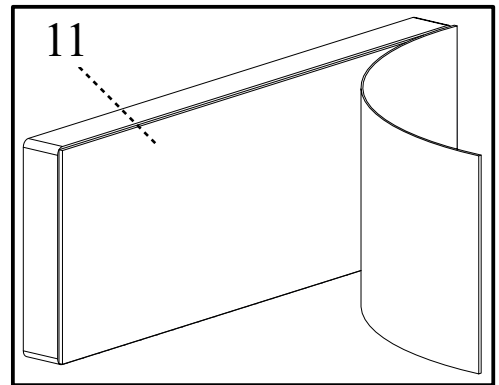
8.



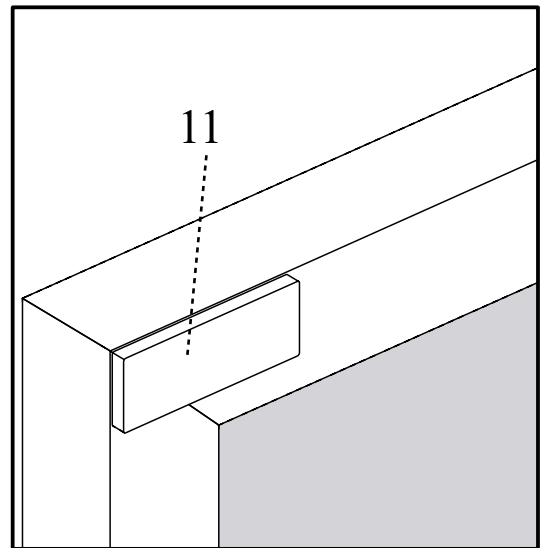
9.



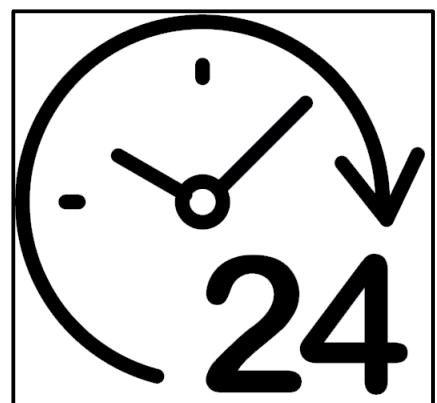
I.)



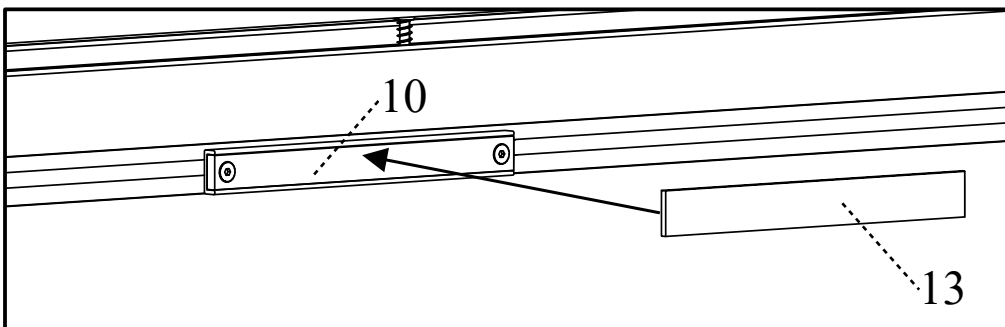
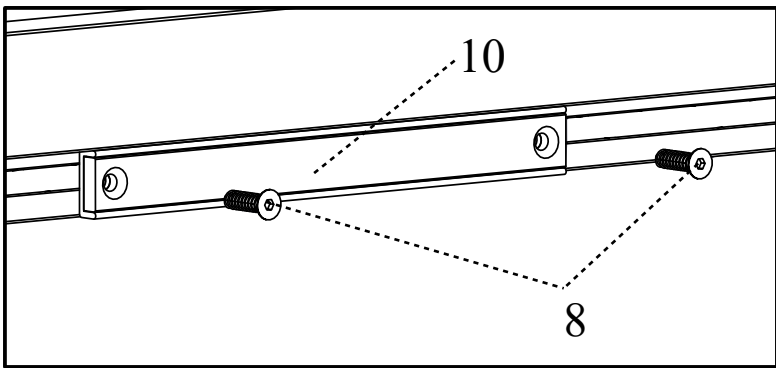
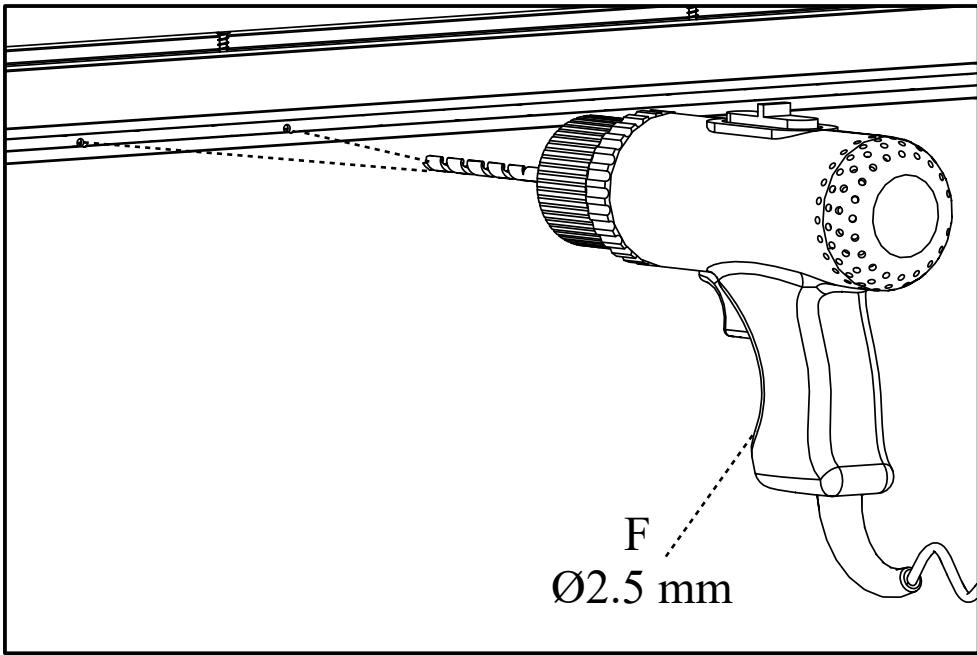
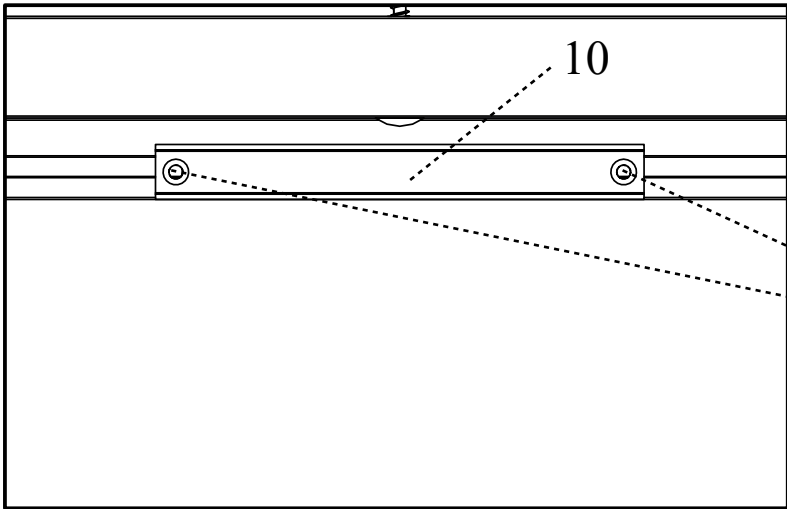
II.)



III.)



10.



6

