

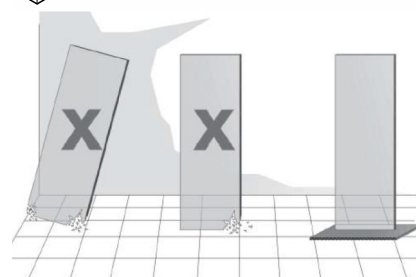
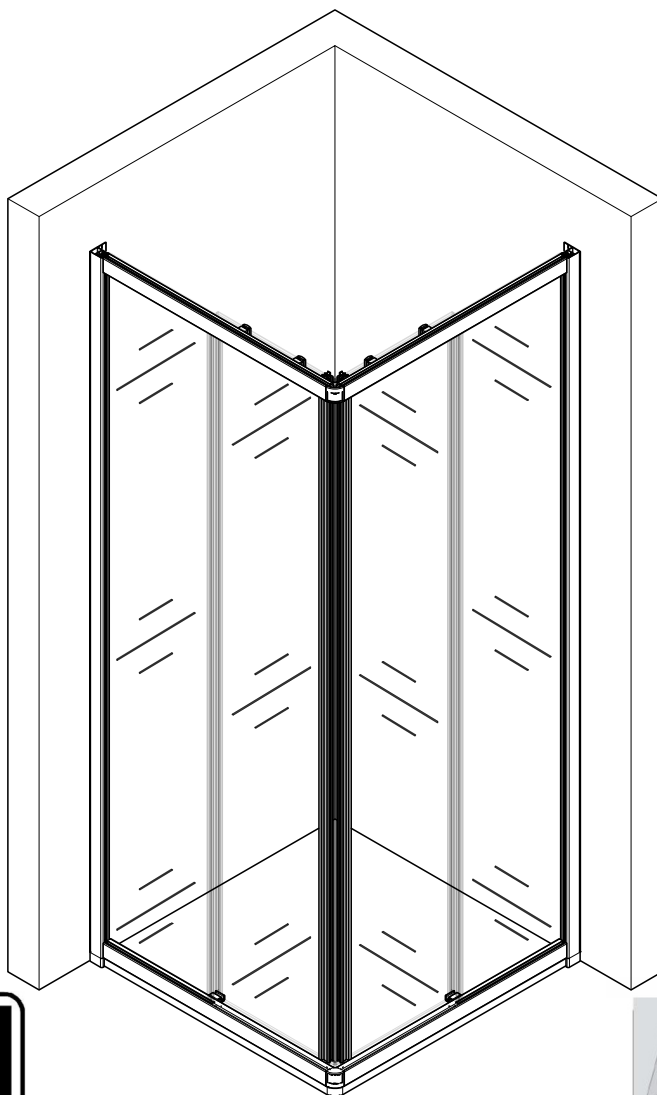


HIETAKARI®

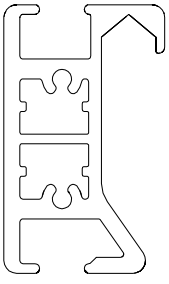


8/25 70RLM

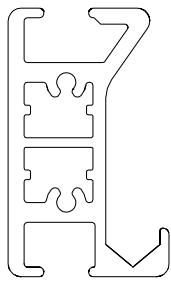
INFINIA 411



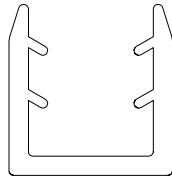
Parts



1. x2

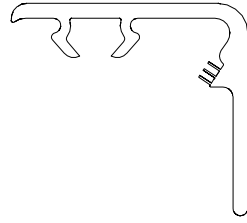


2. x2



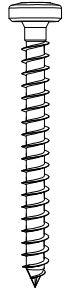
3. x4

1/41 E0RLM



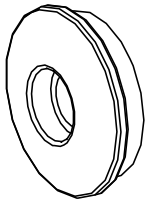
4. x2

1/42 F0RLM



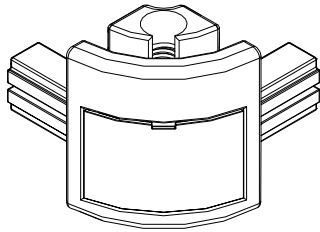
4/83 31RLM

5. 3.5x39 mm



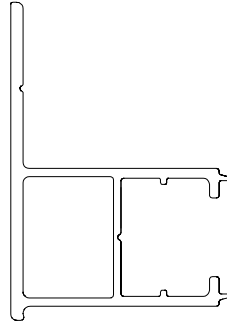
4/83 42RLM

6. x8

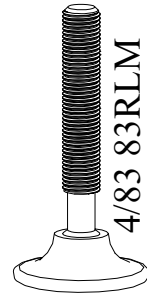


8/65 80RLM

7. x2

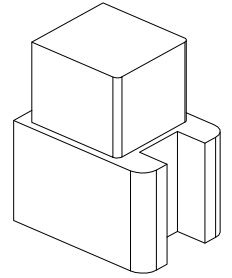


8. x2



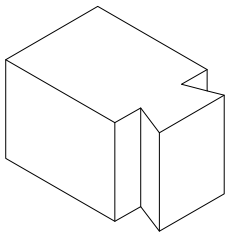
4/83 83RLM

9. x1



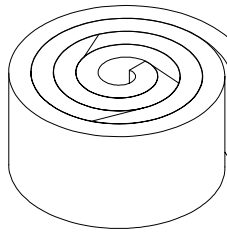
4/83 A2RLM

10. x2



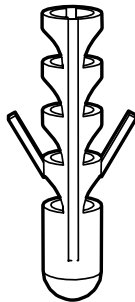
4/83 A3RLM

11. x2



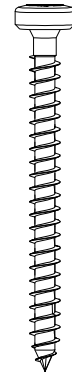
4/83 61RLM

12. x1



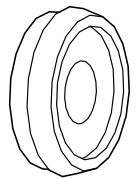
4/83 13RLM

13. 6x30 mm
x8



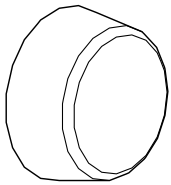
4/83 11RLM

14. 6x30 mm



4/83 22RLM

15. x16



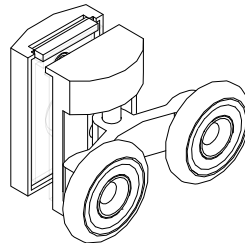
4/83 23RLM

16. x16



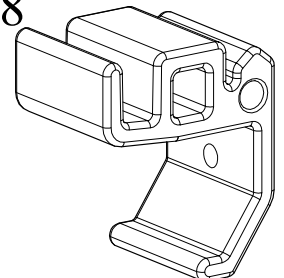
4/83 24RLM

17. 4.2x13 mm



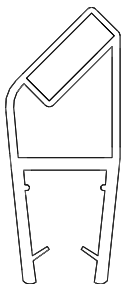
4/83 70RL1

18. x4



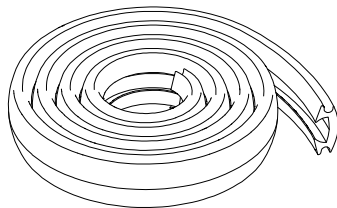
4/83 97RLM

19. x2



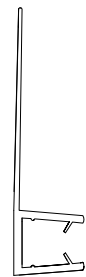
1/42 50RLM

20. x2



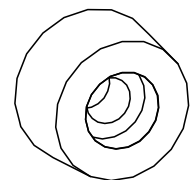
4/83 52RLM

21. x1



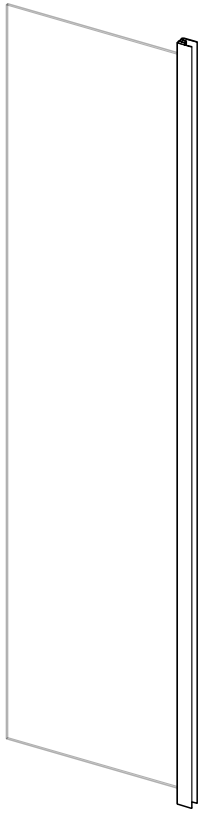
1/42 10RLM

22. x4

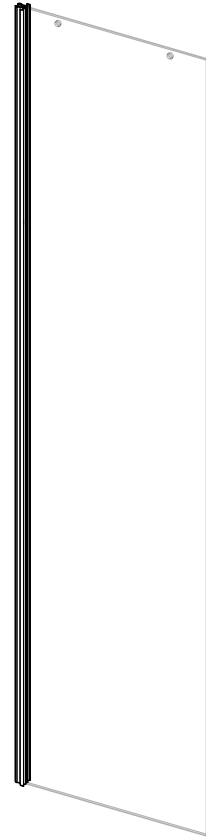


4/83 30RLM

23. x4

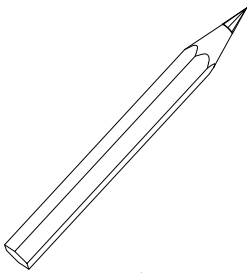


24. x2

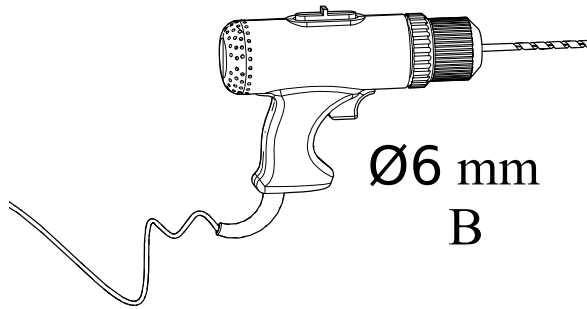


25. x2

Tools



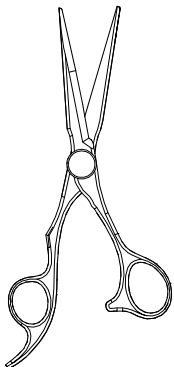
A



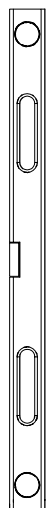
Ø6 mm
B



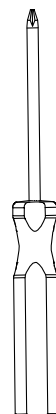
C



D

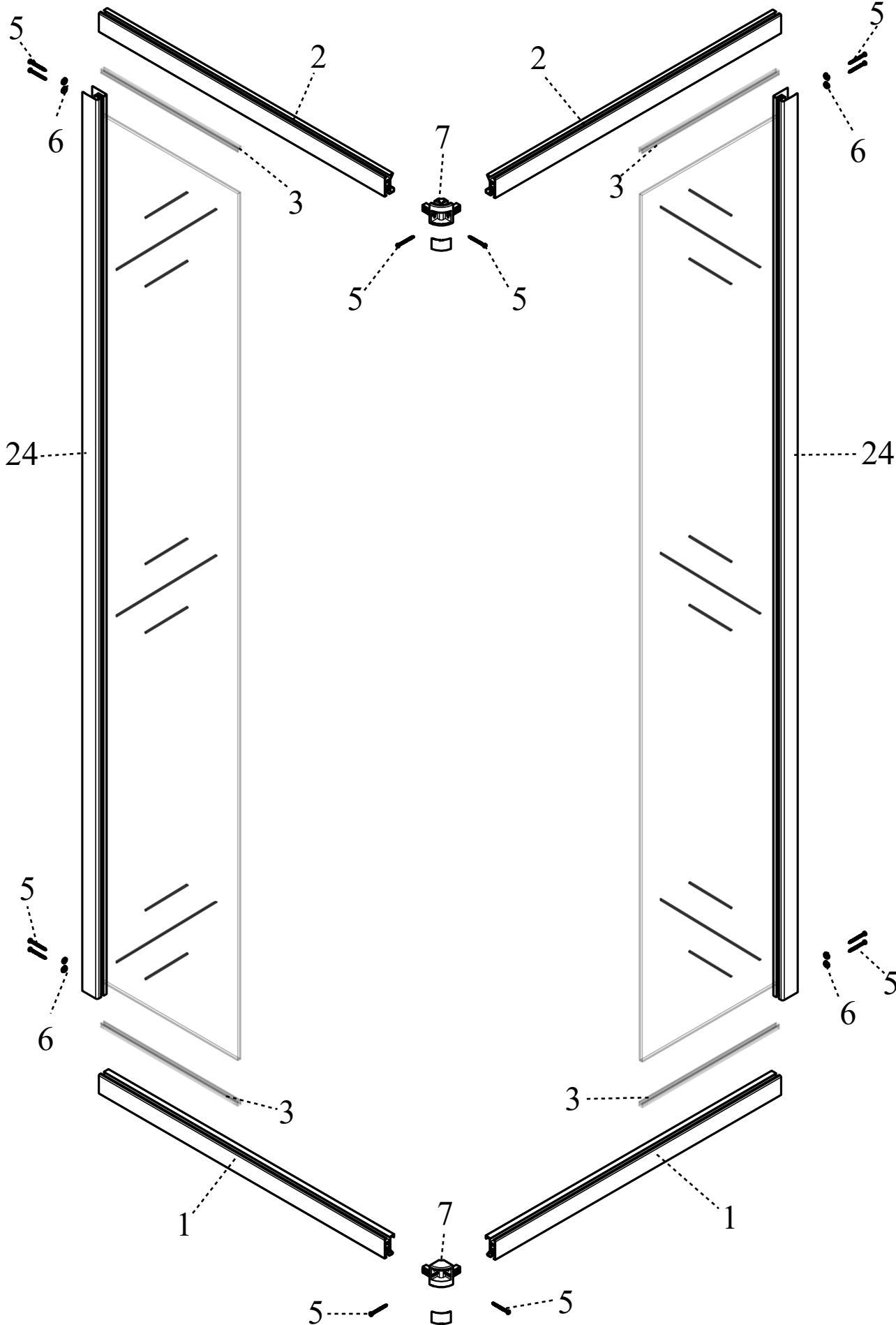


E

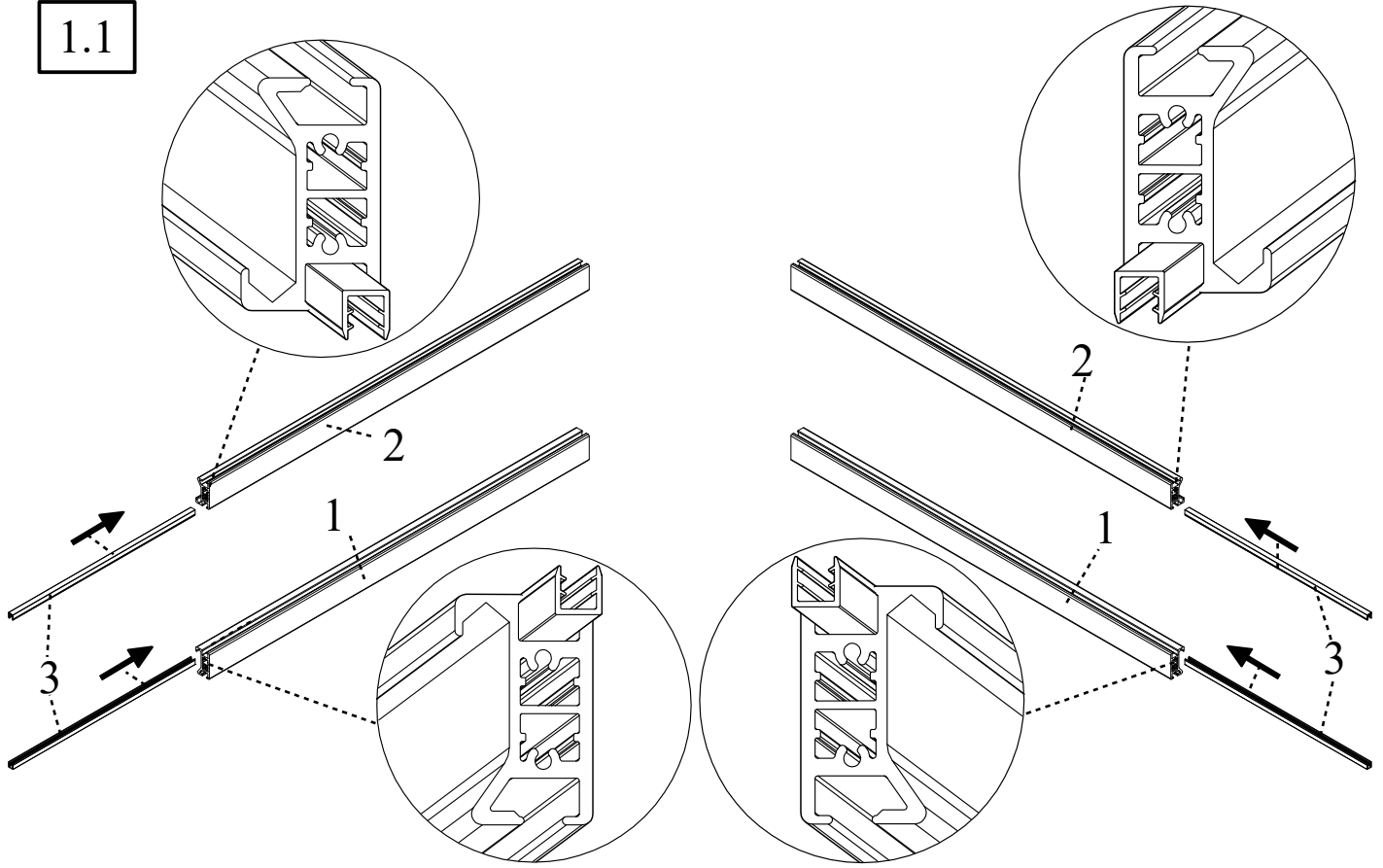


F

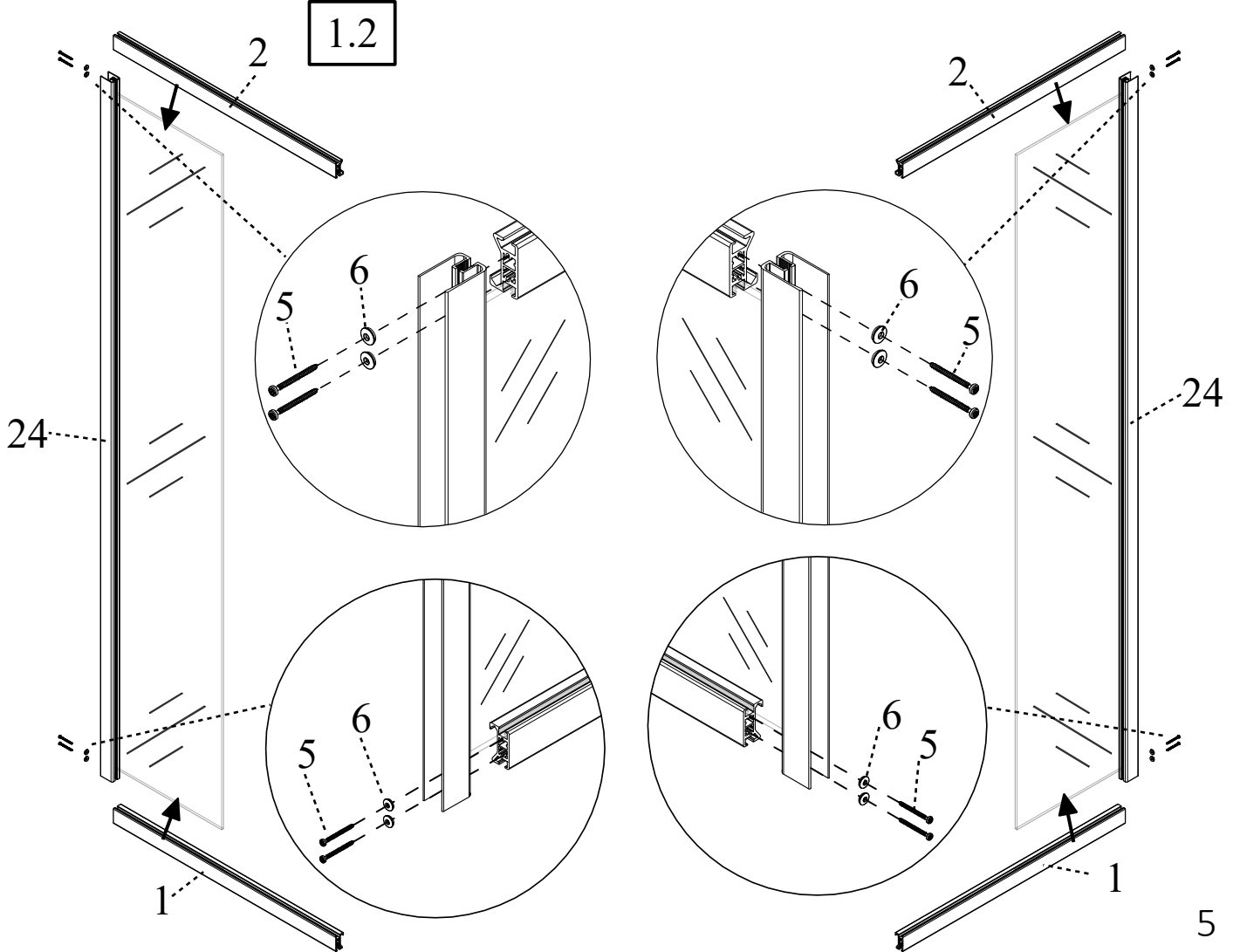
STEP 1/3



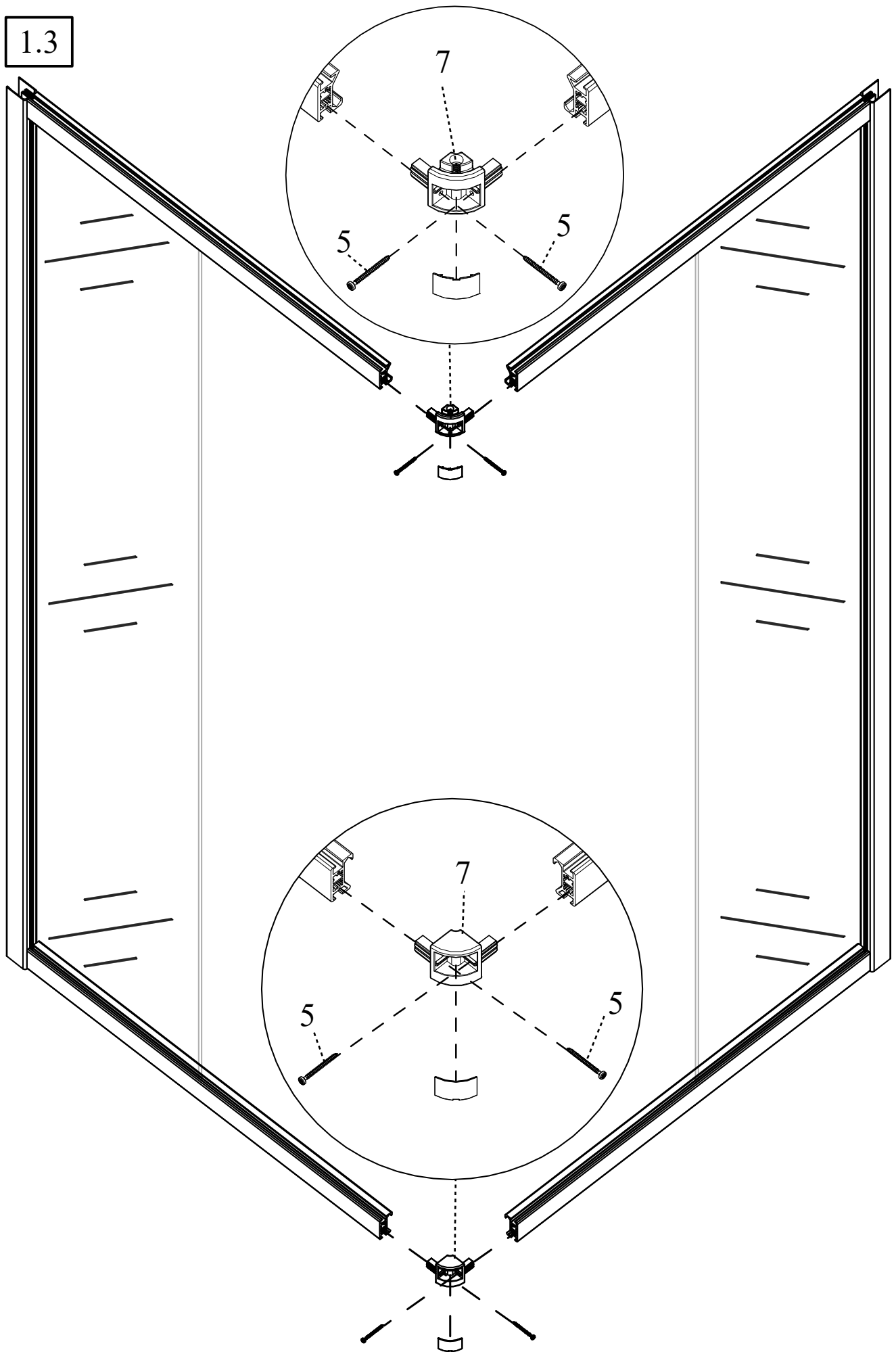
1.1



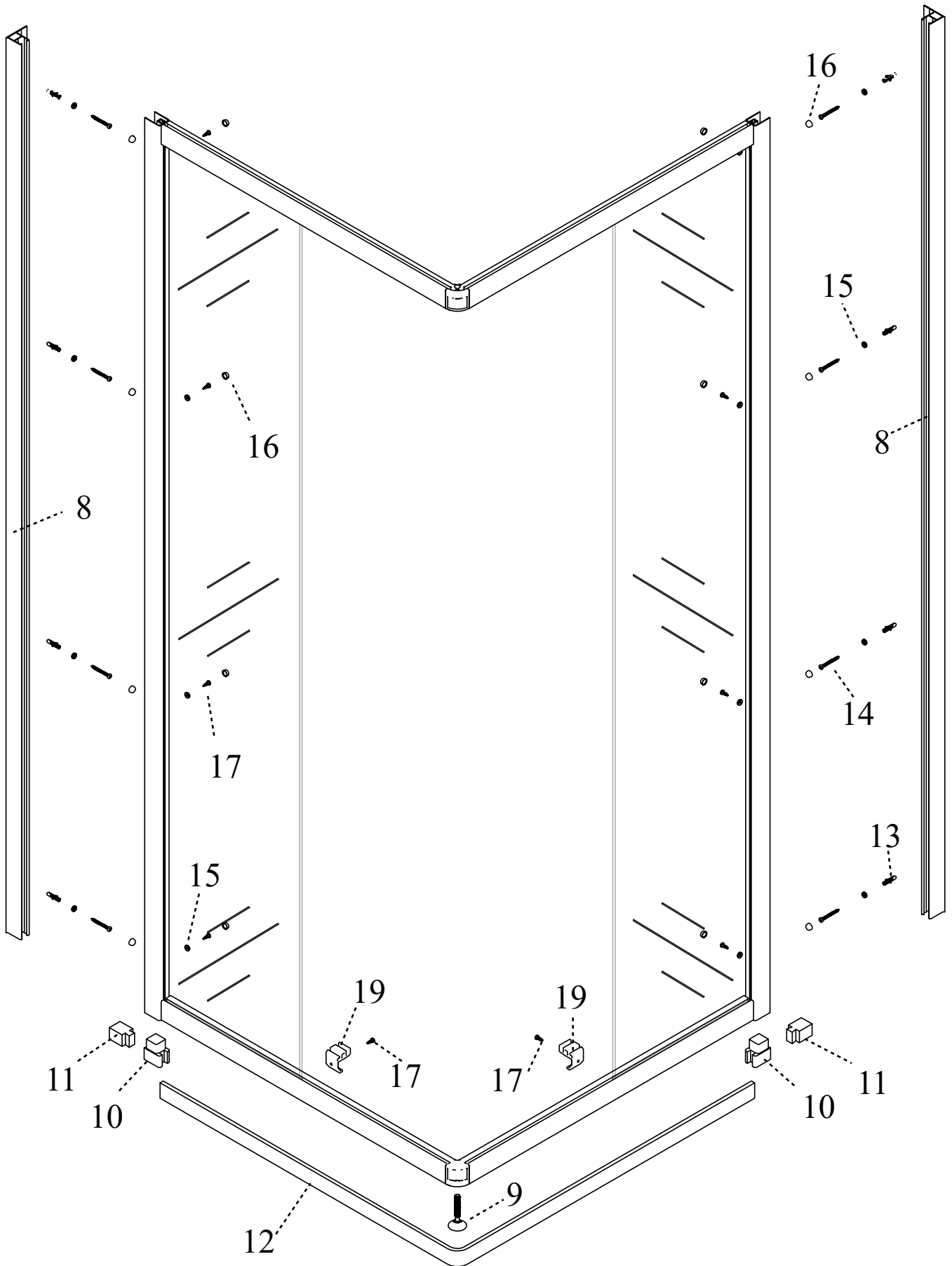
1.2



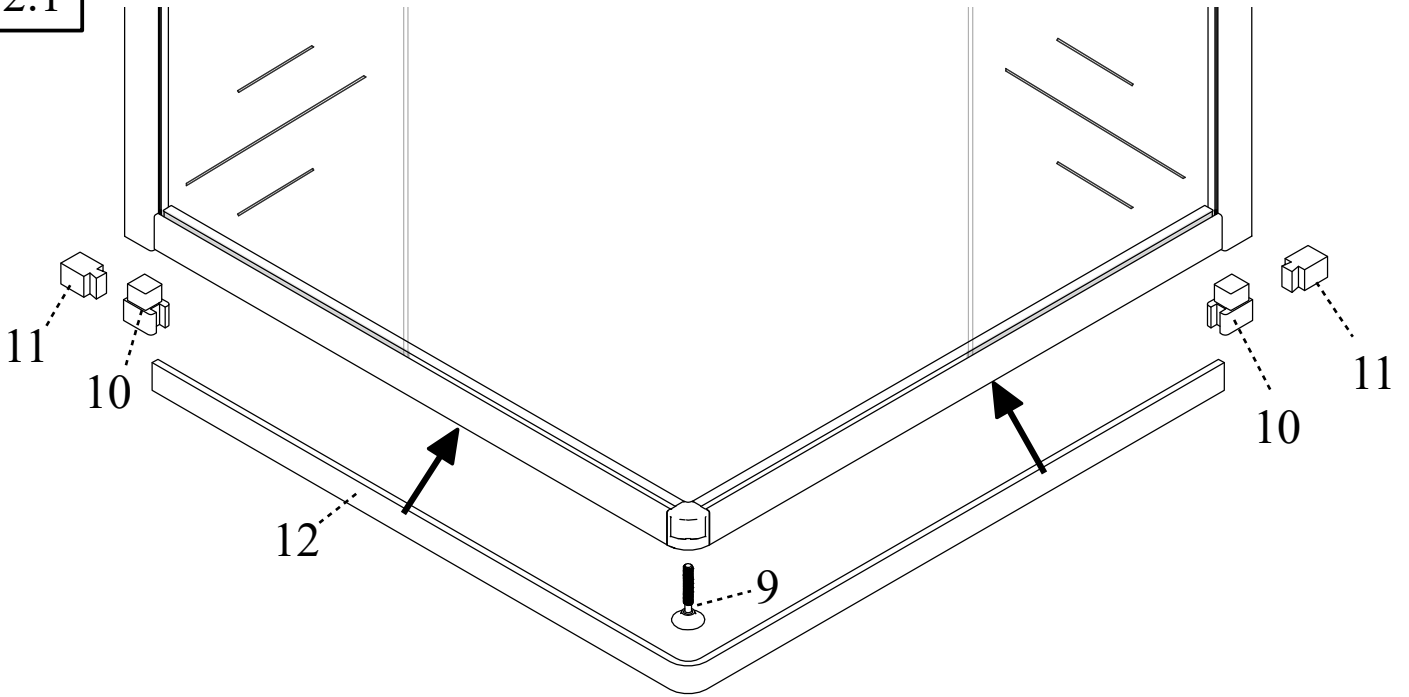
1.3



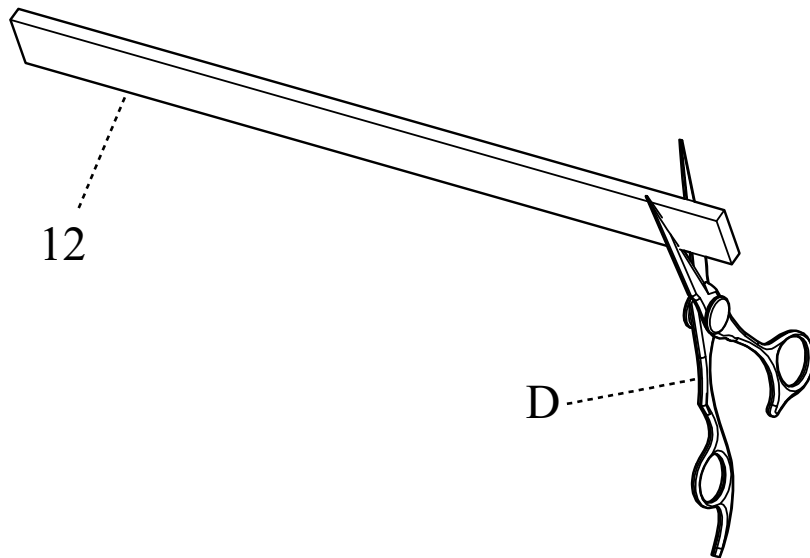
STEP 2/3



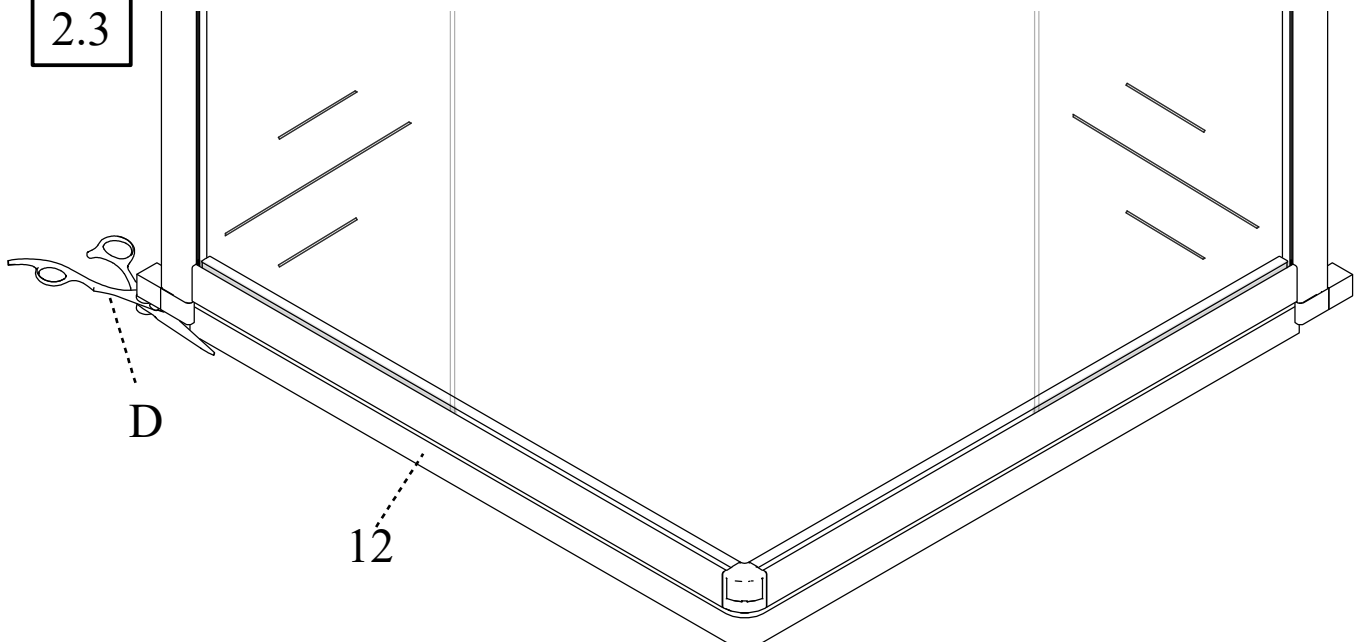
2.1



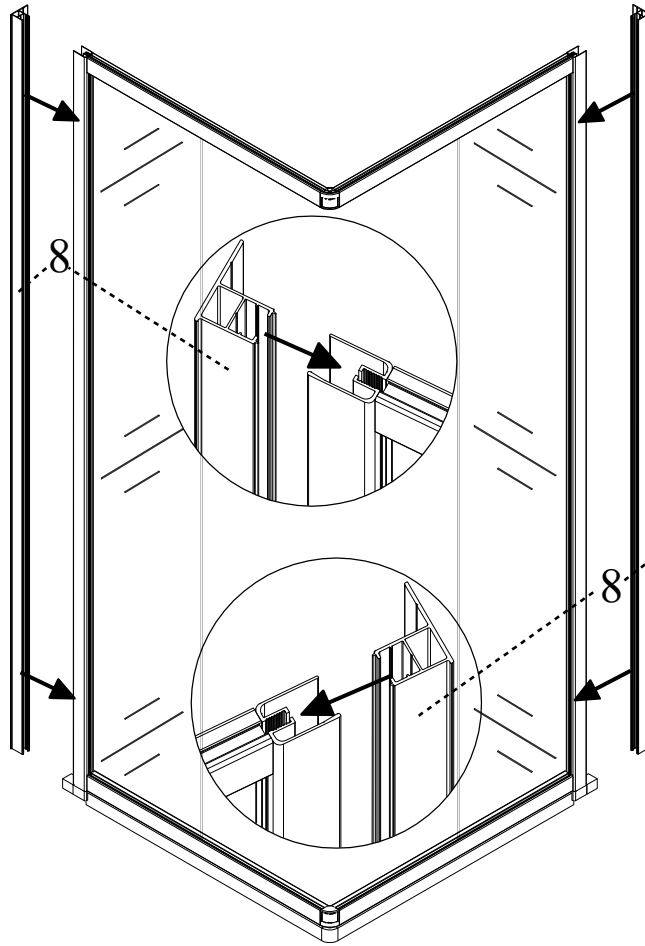
2.2



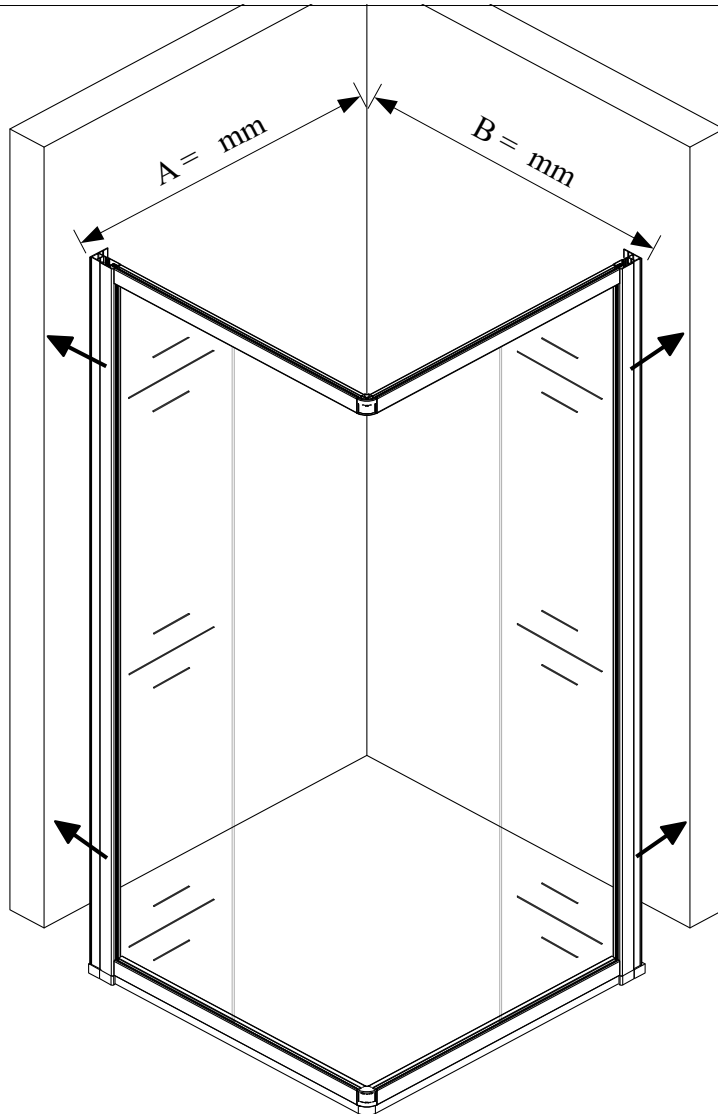
2.3



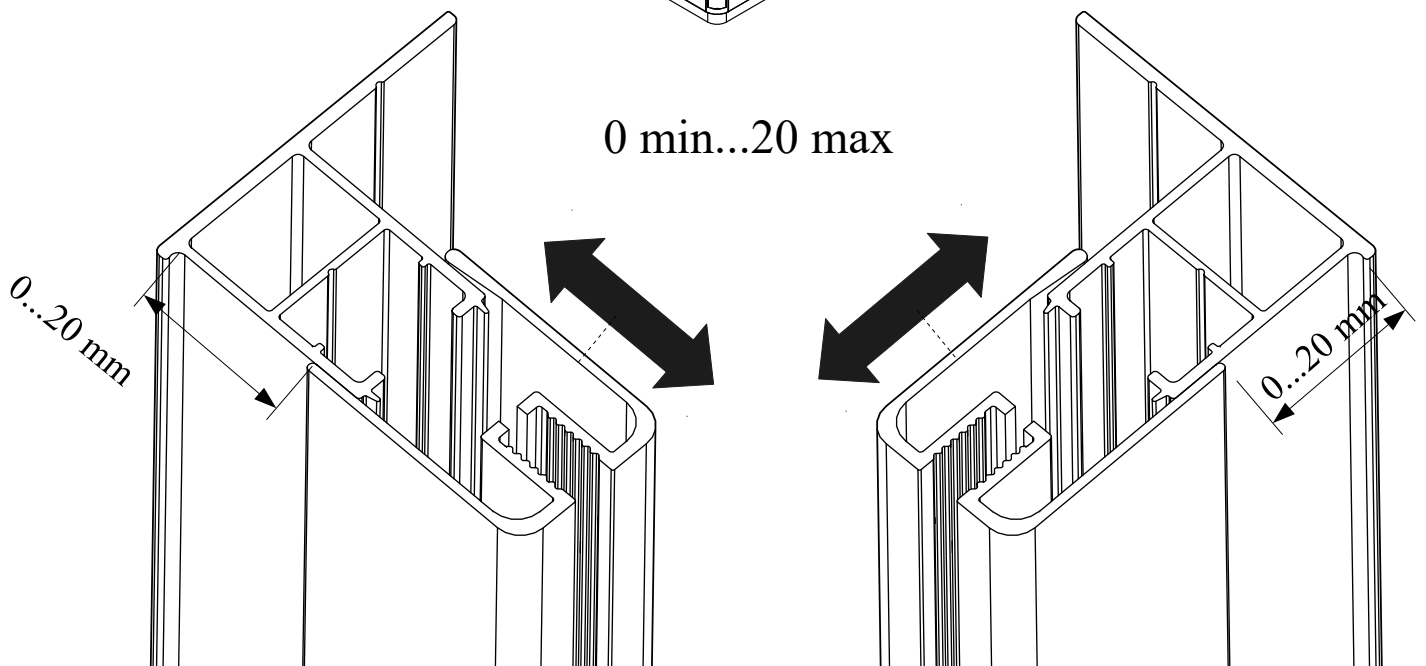
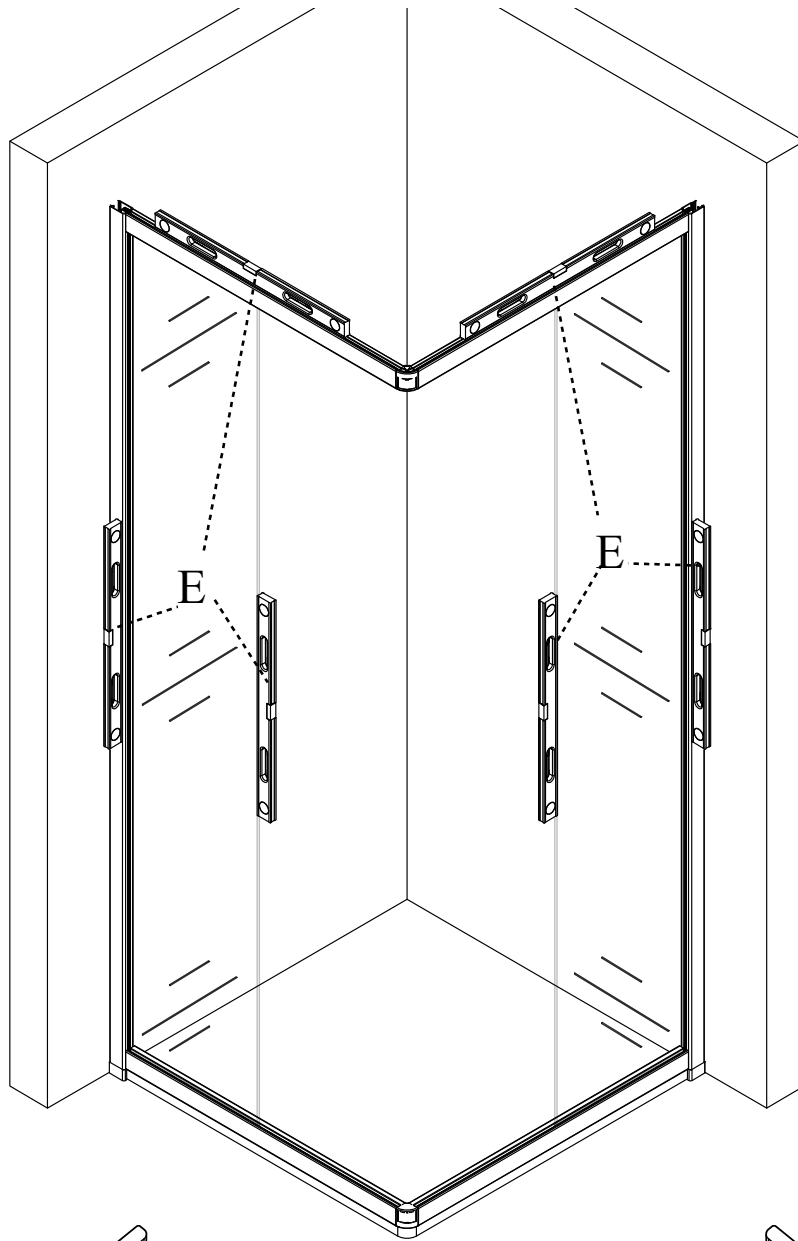
2.4



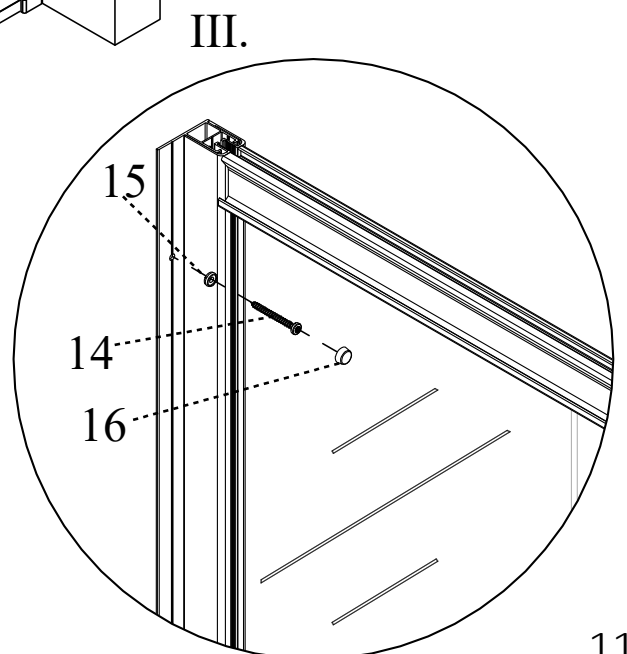
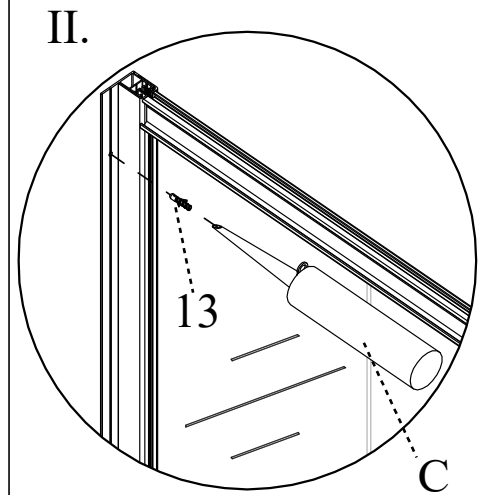
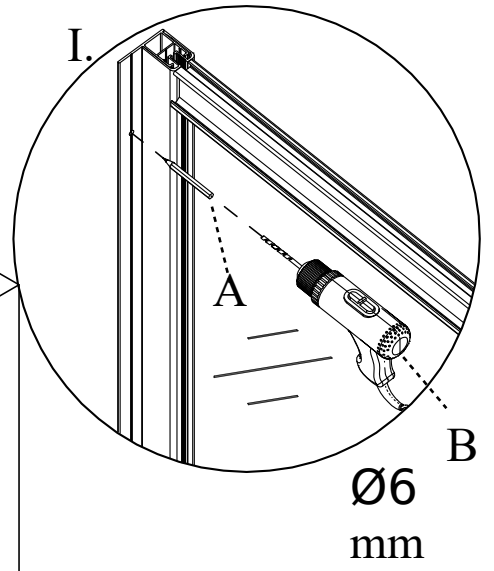
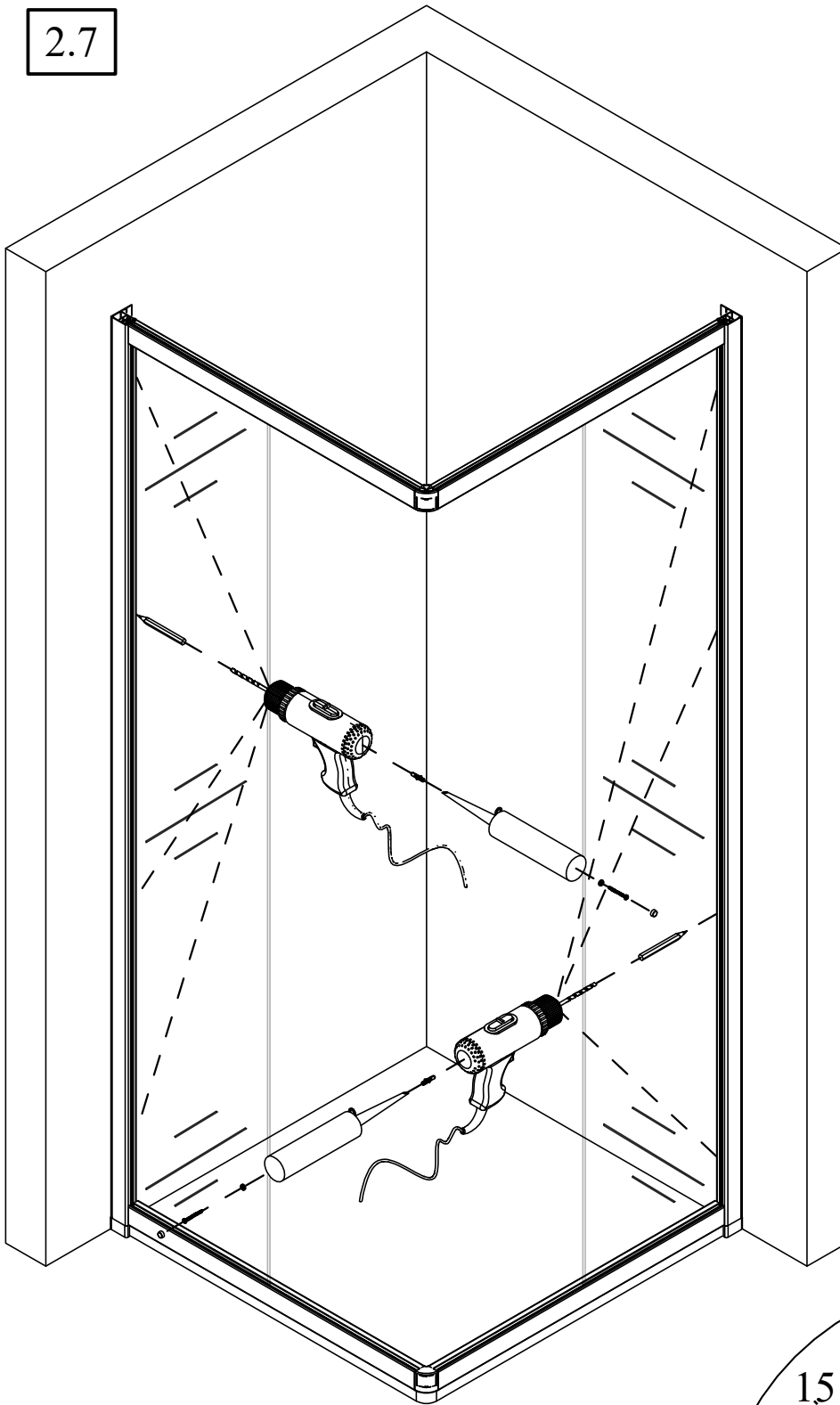
2.5



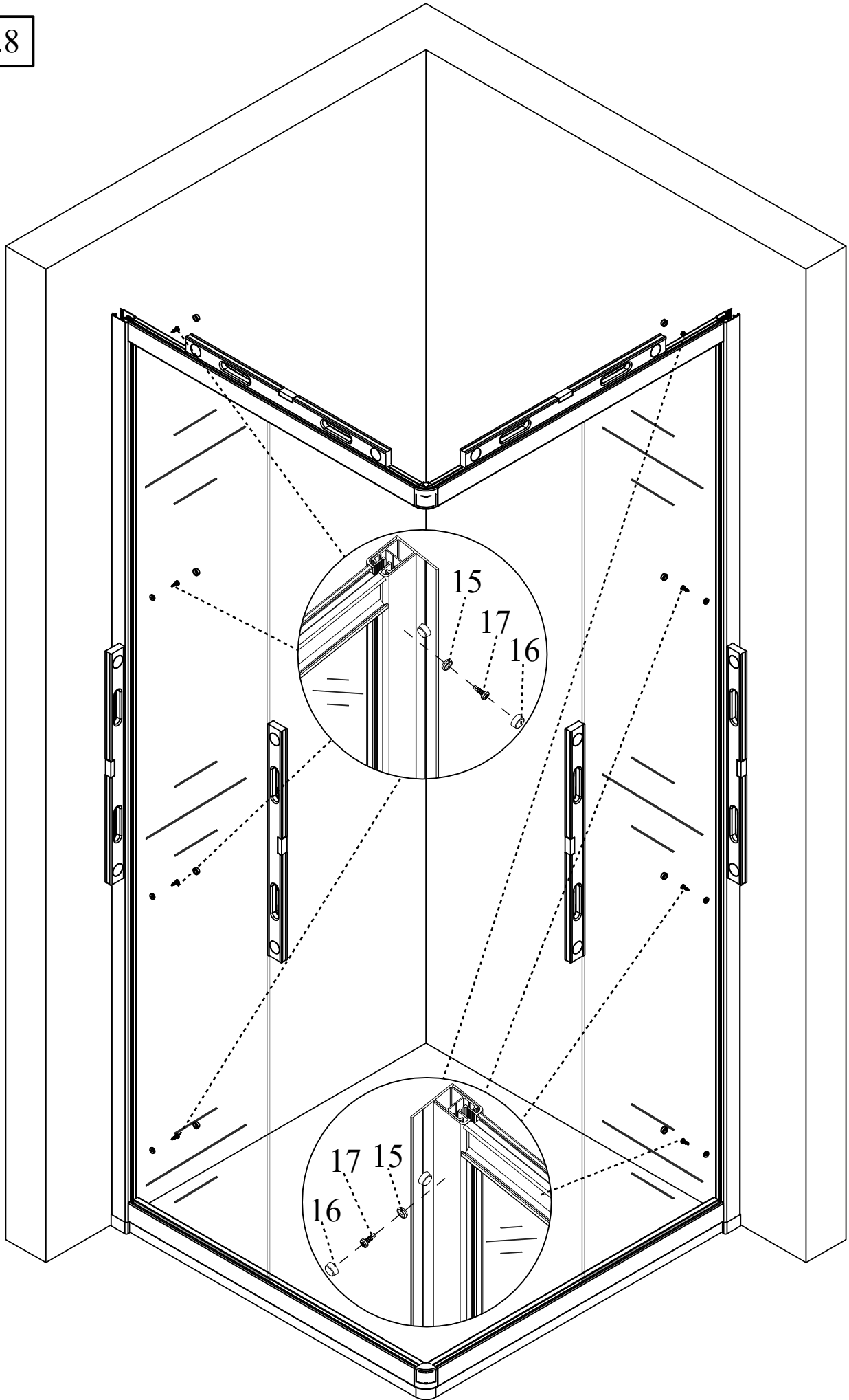
2.6



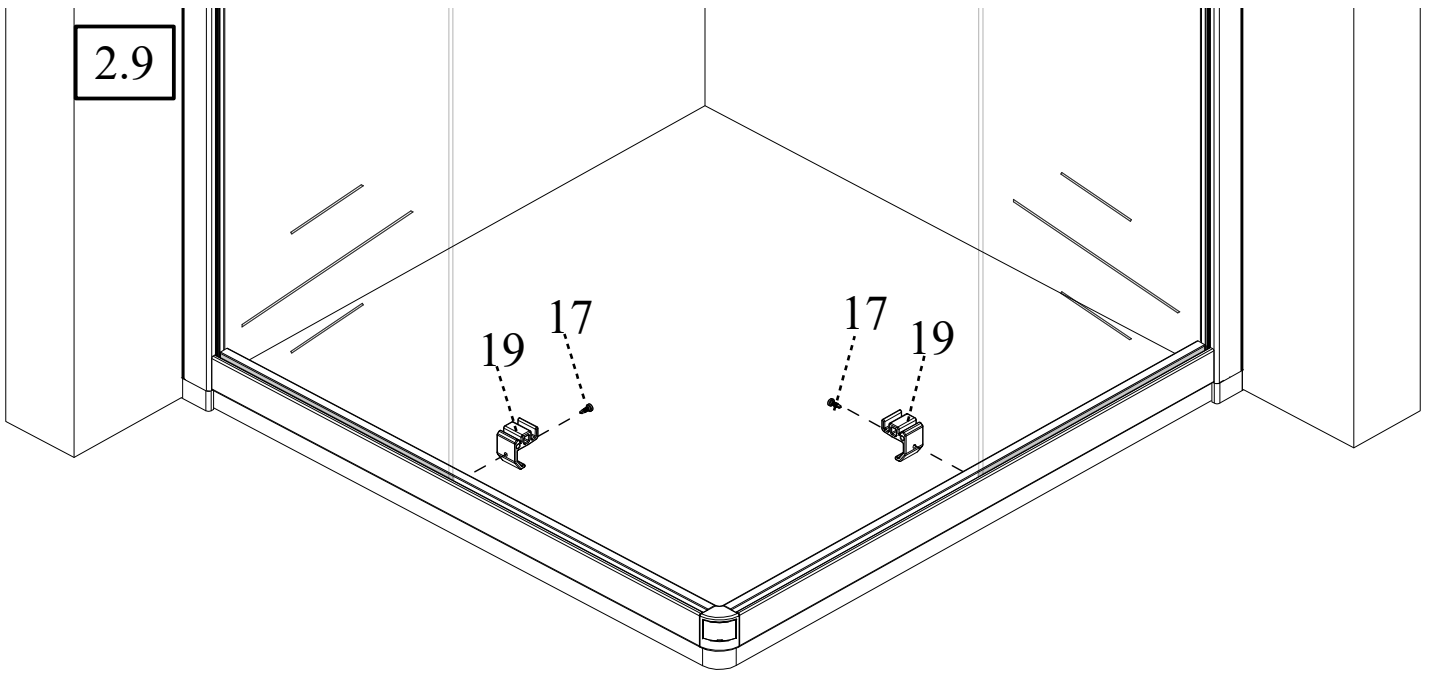
2.7



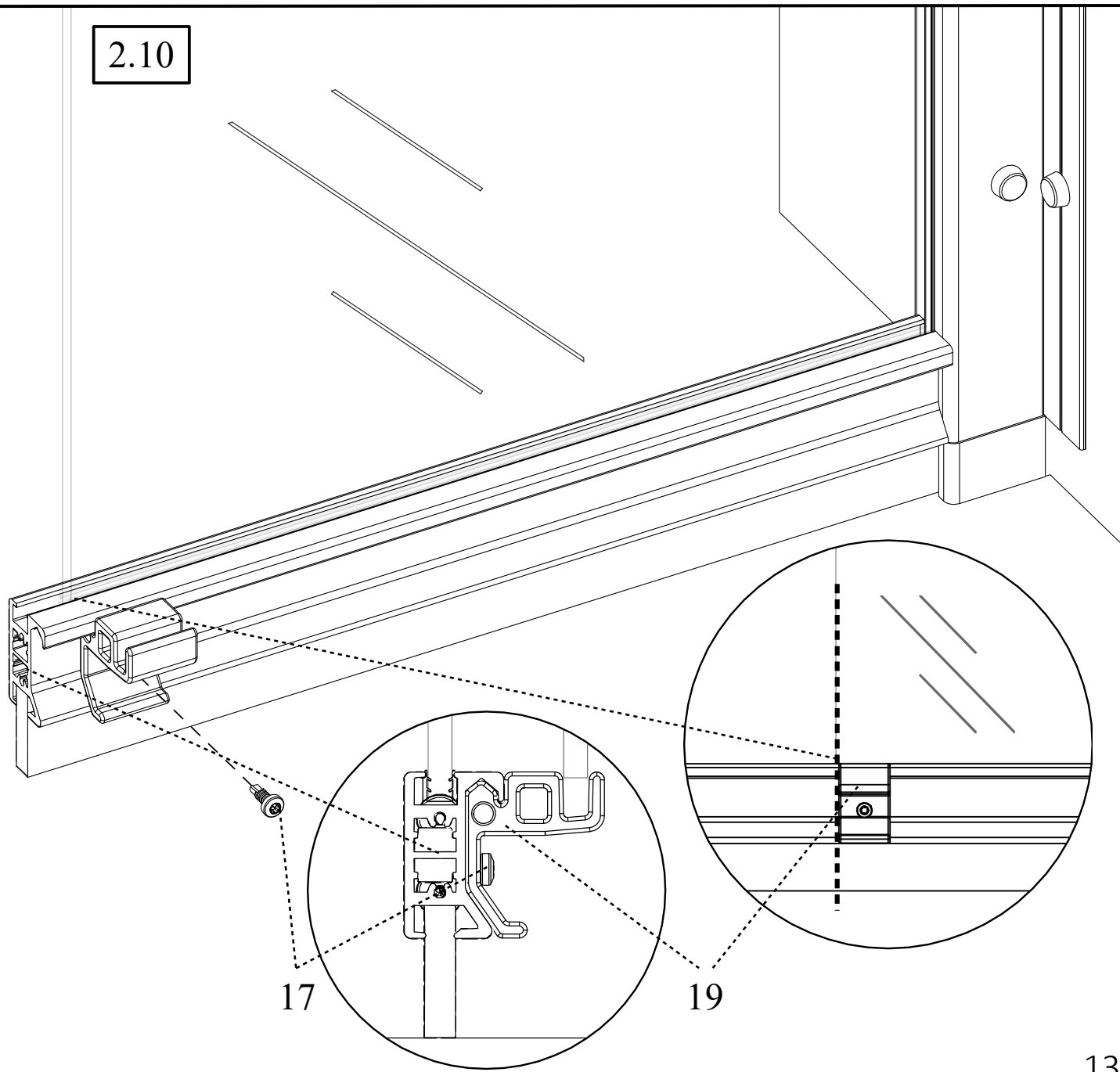
2.8



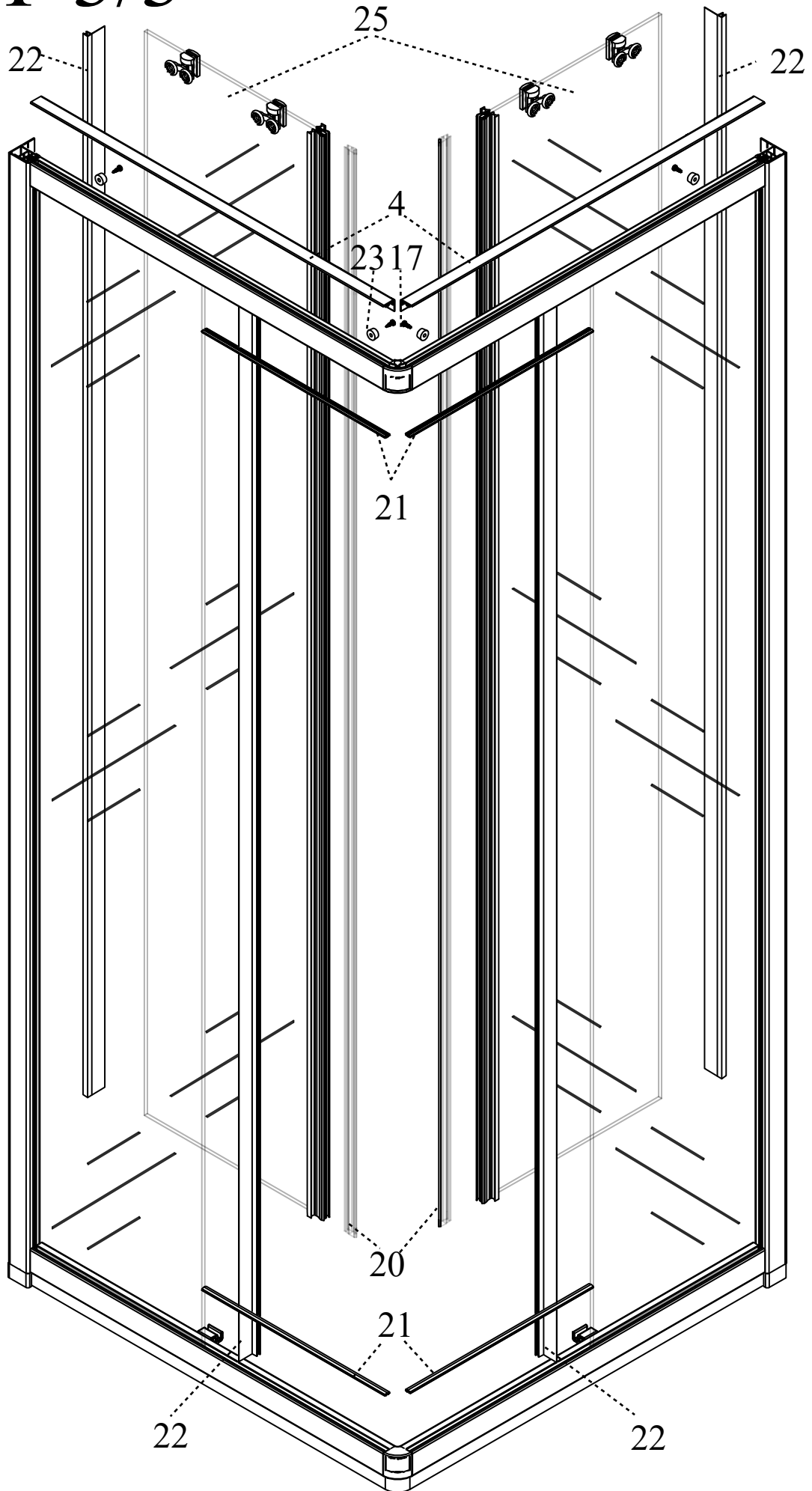
2.9



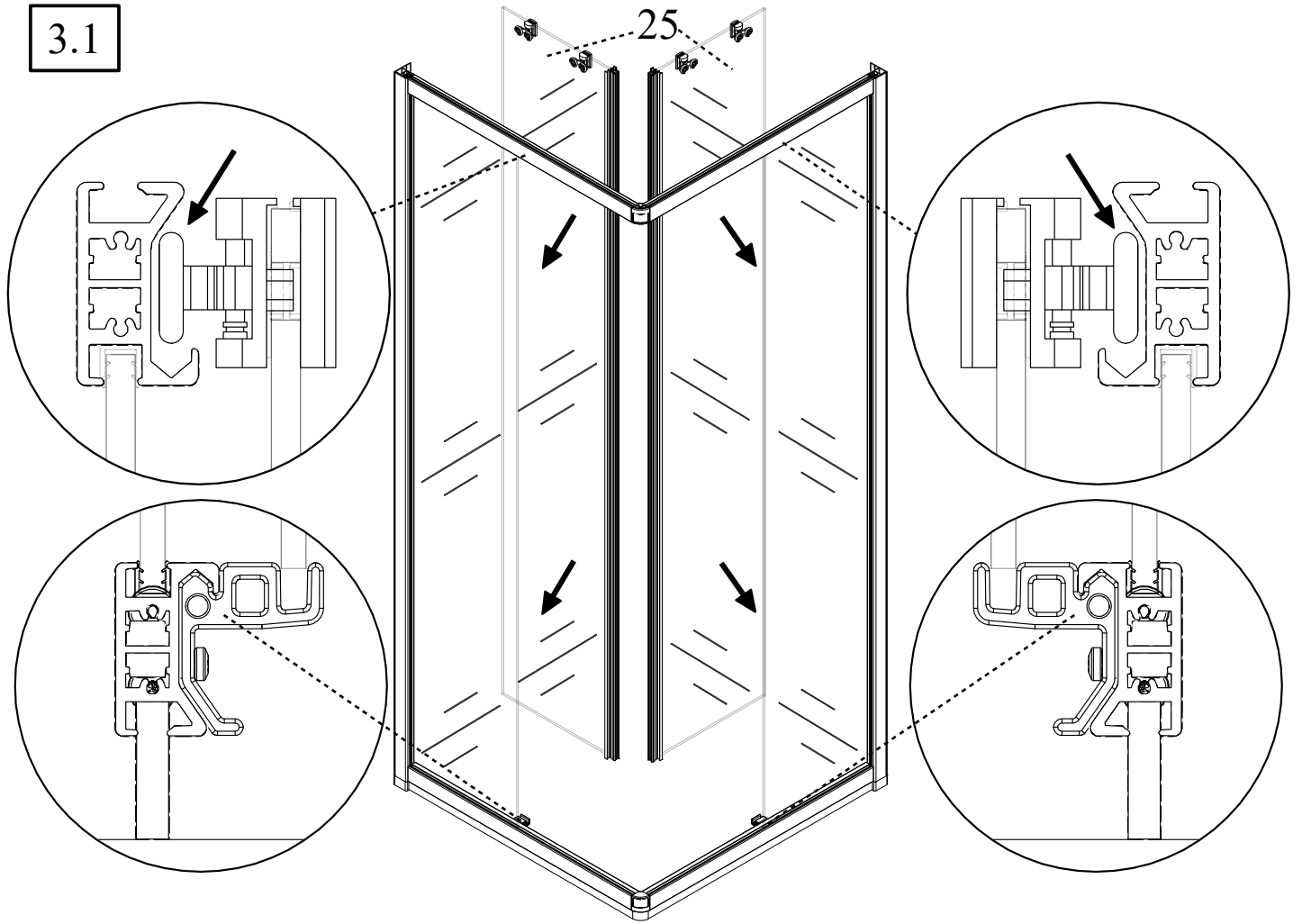
2.10



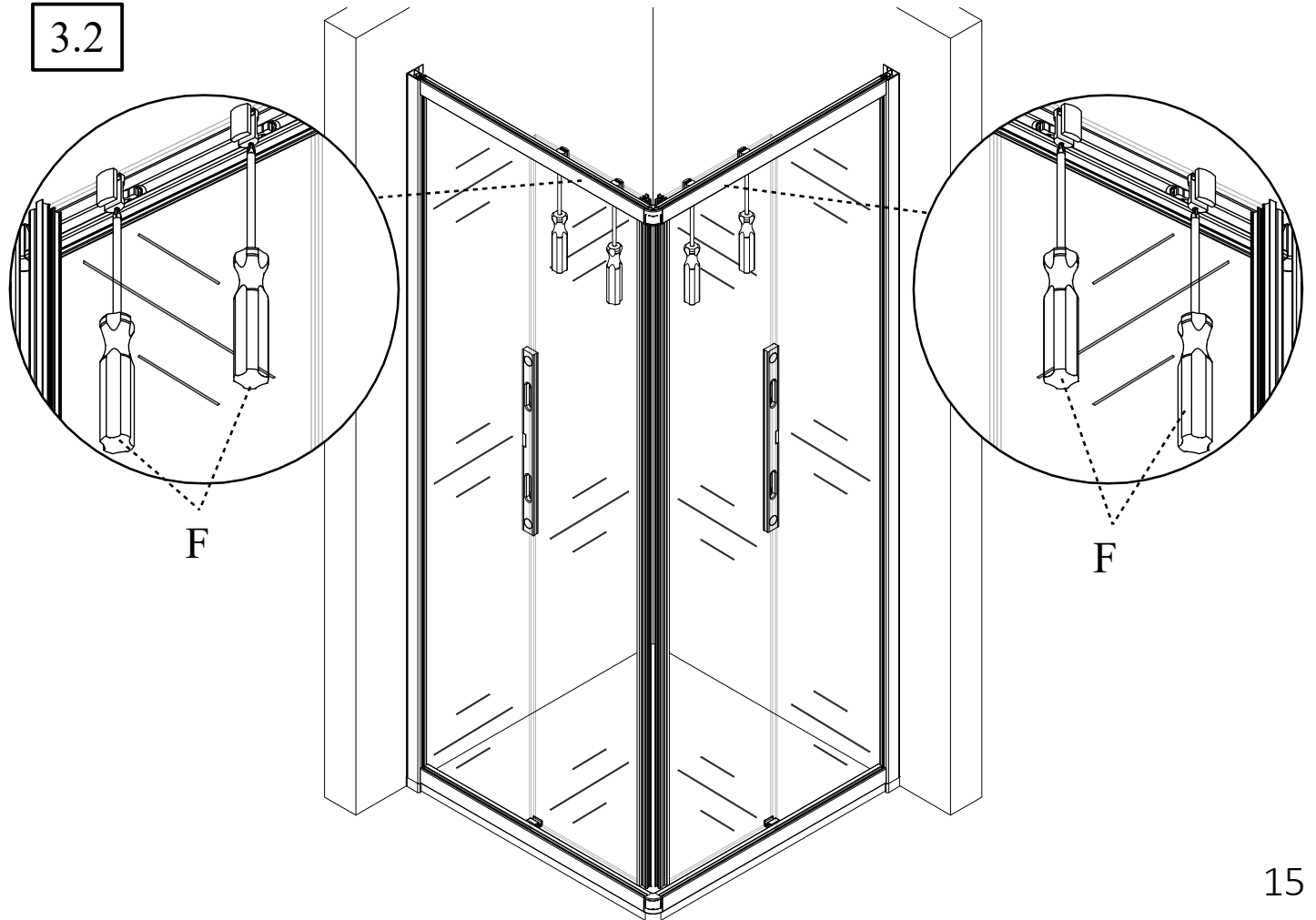
STEP 3/3



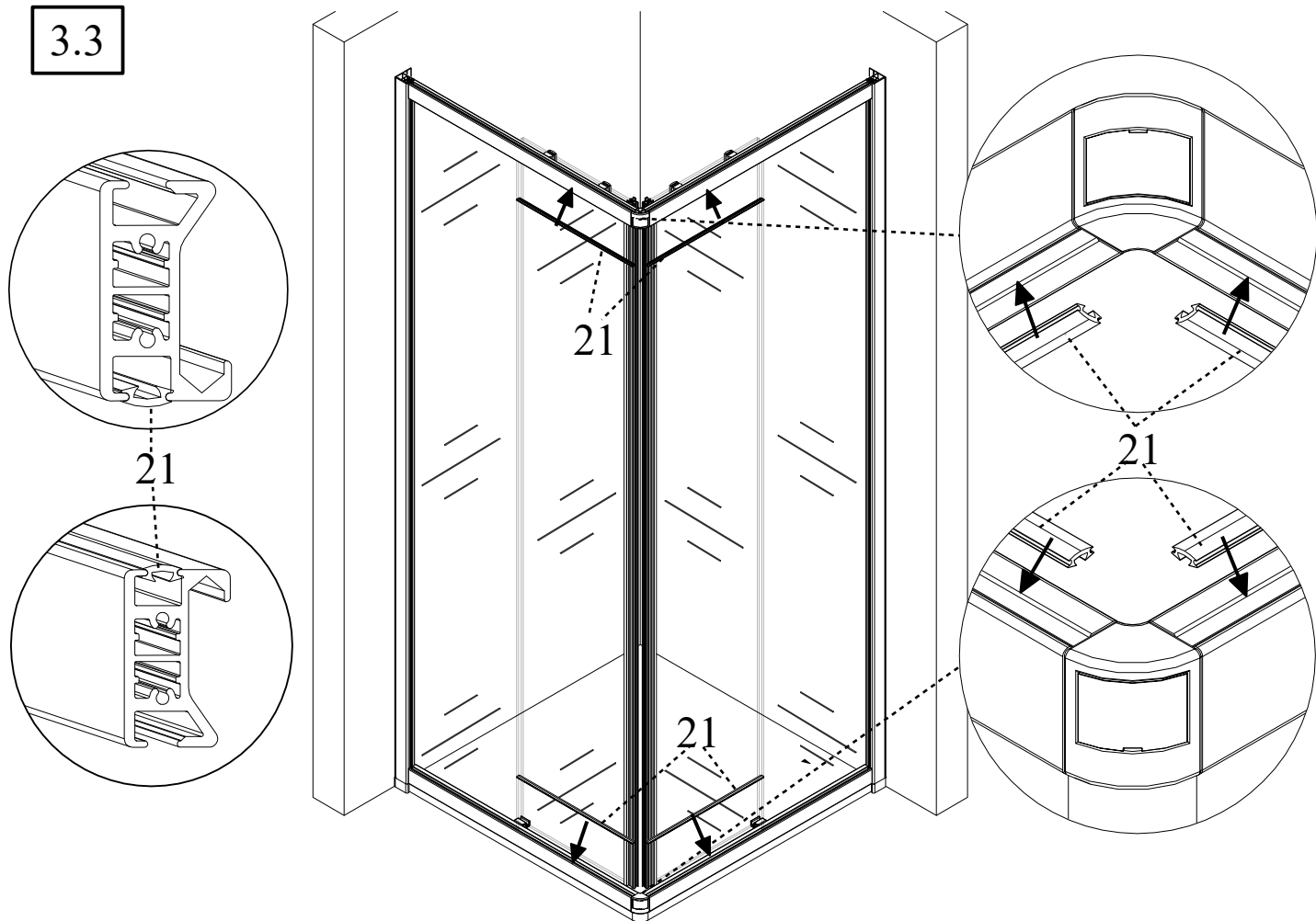
3.1



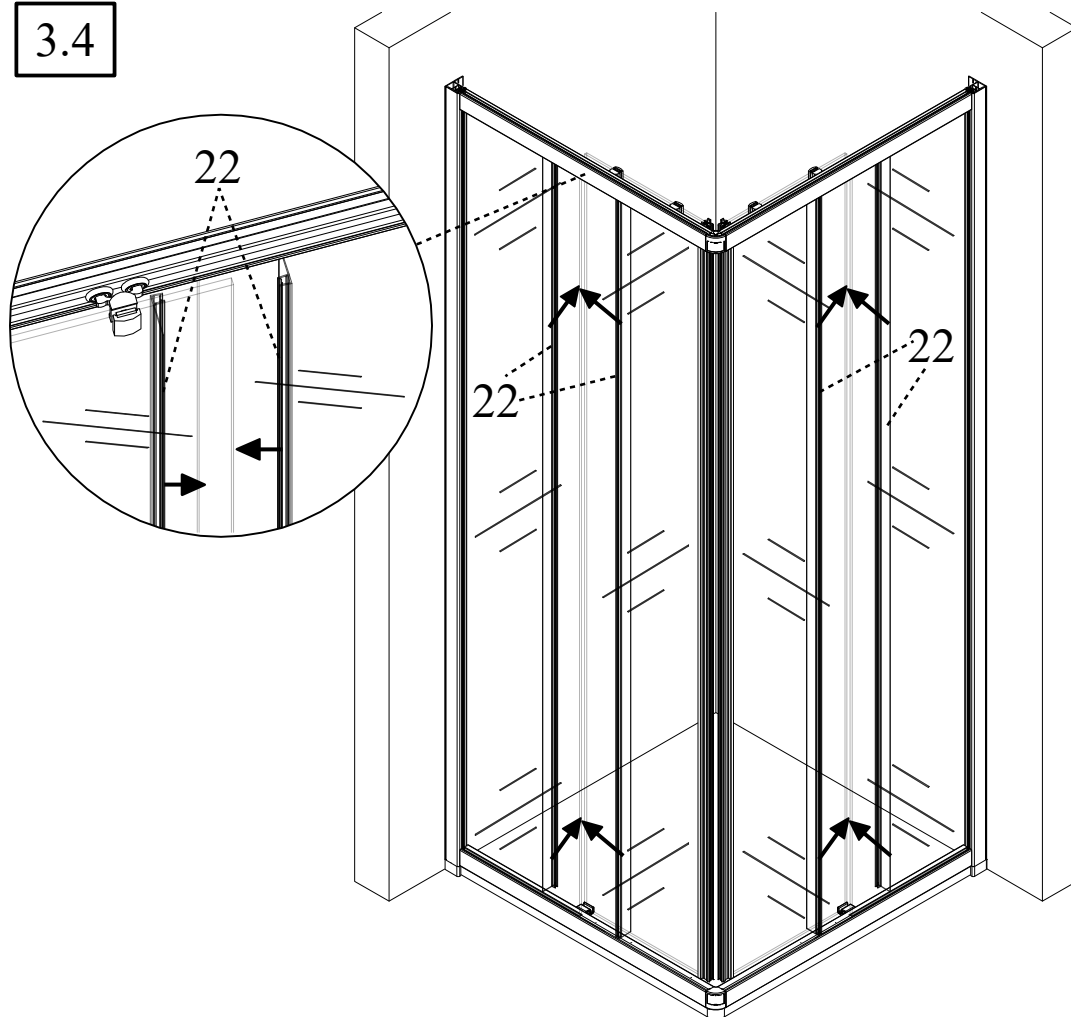
3.2



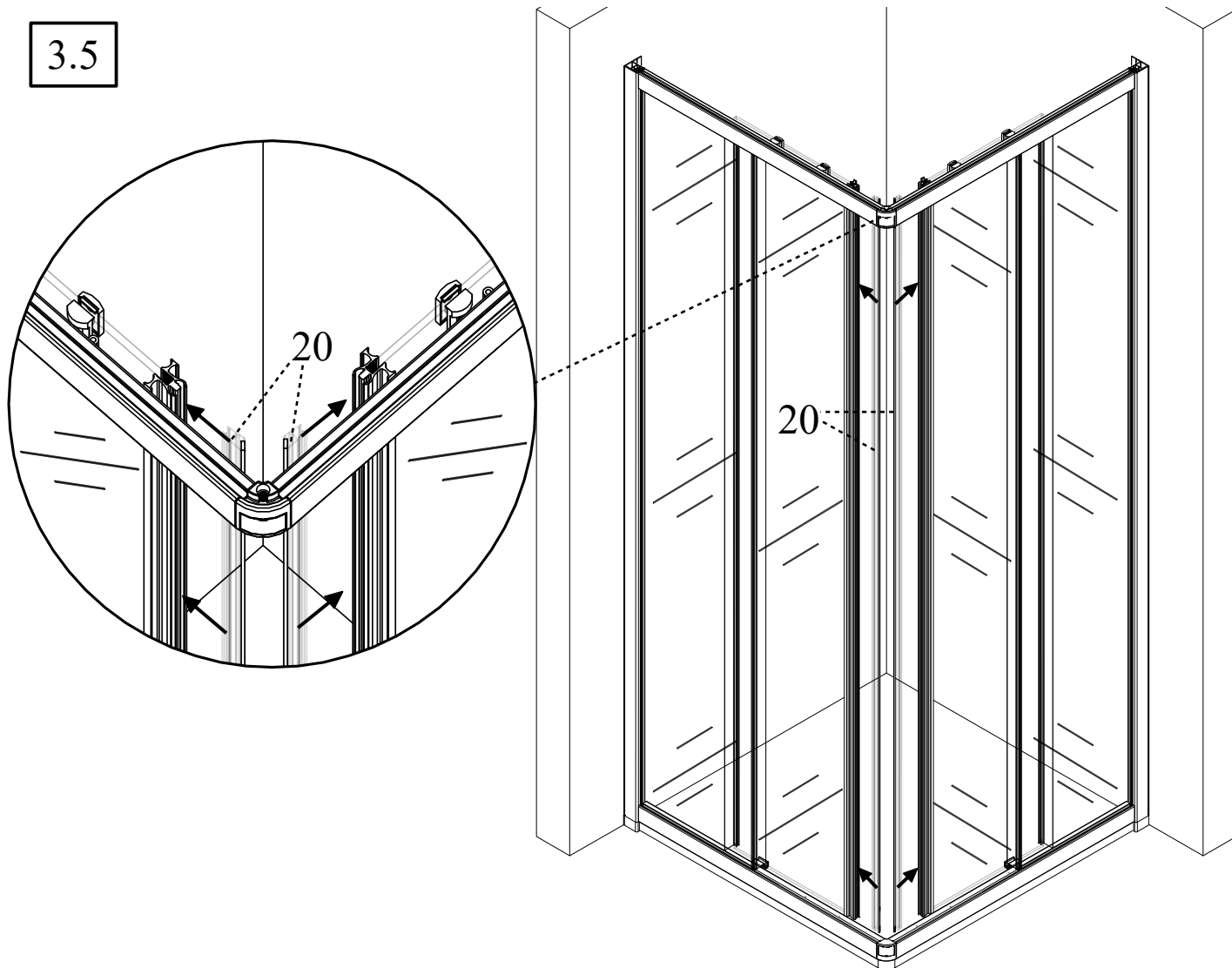
3.3



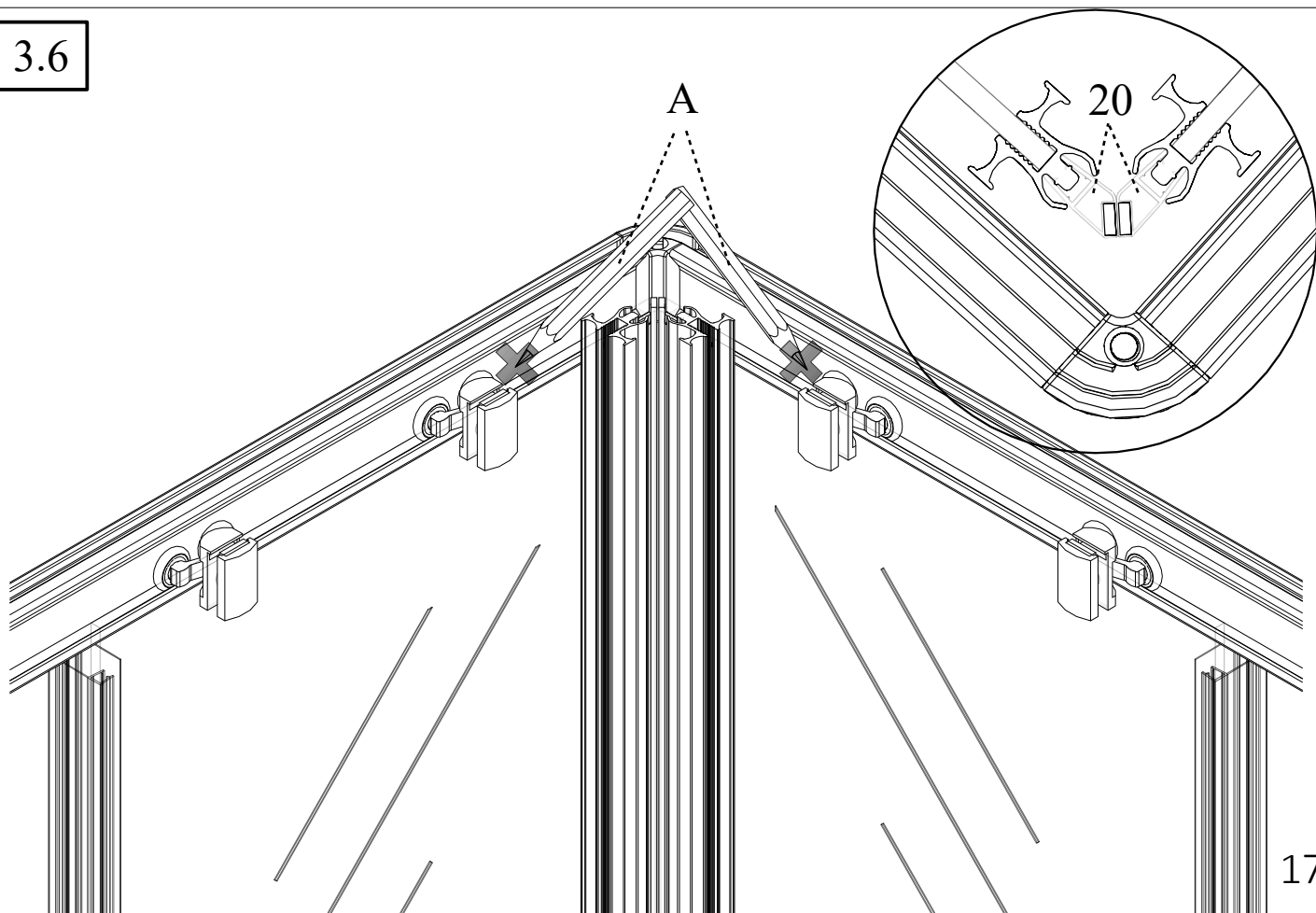
3.4



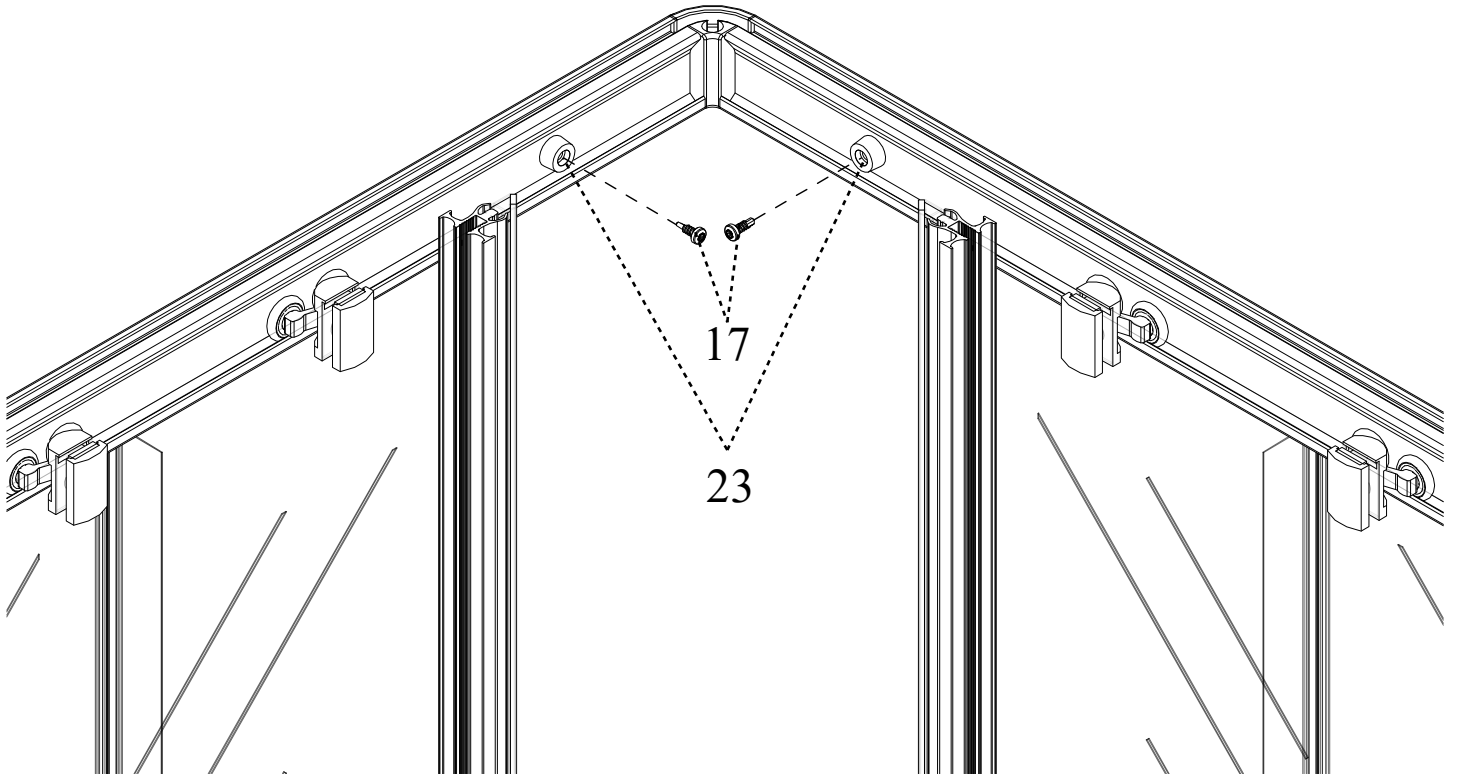
3.5



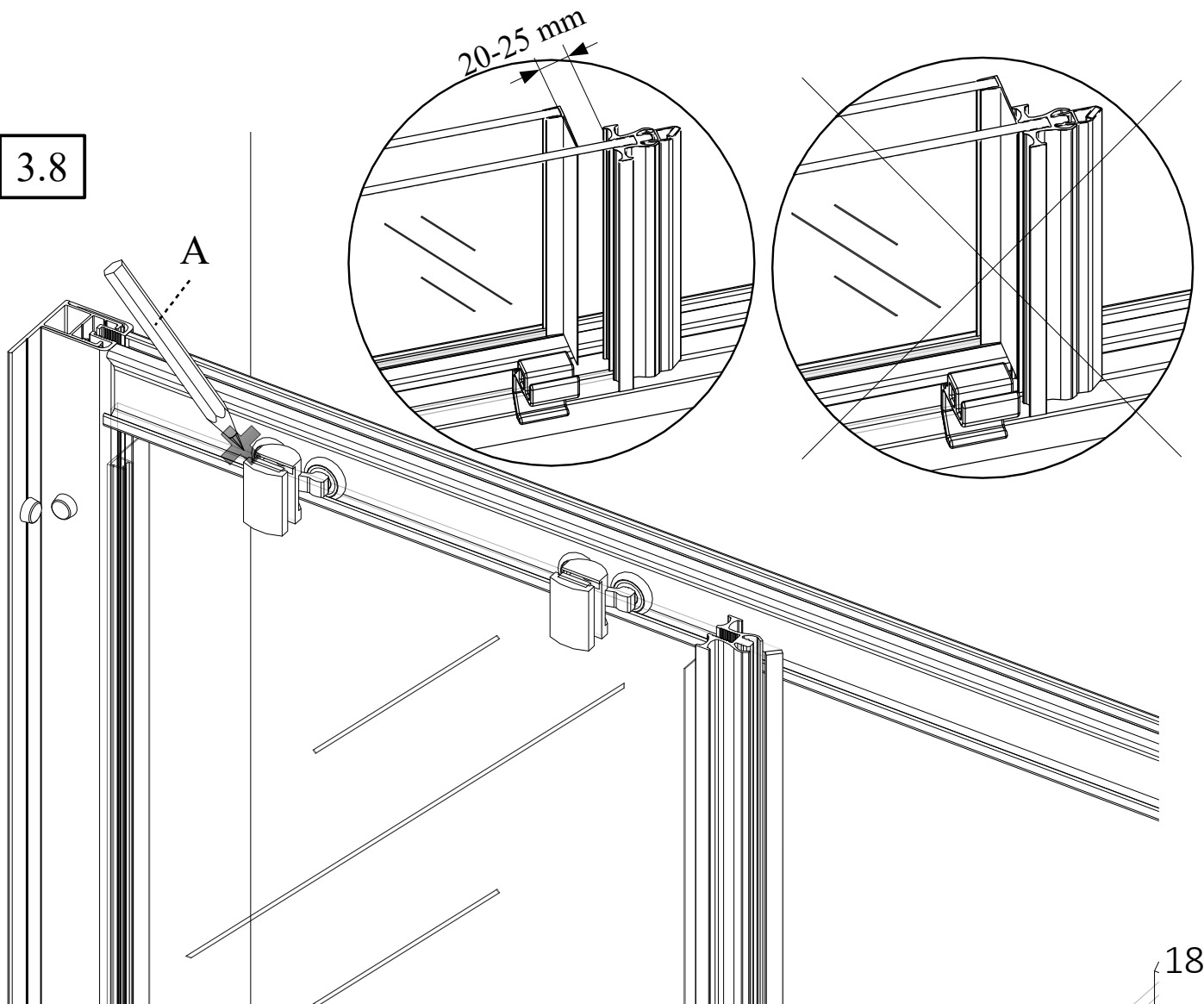
3.6



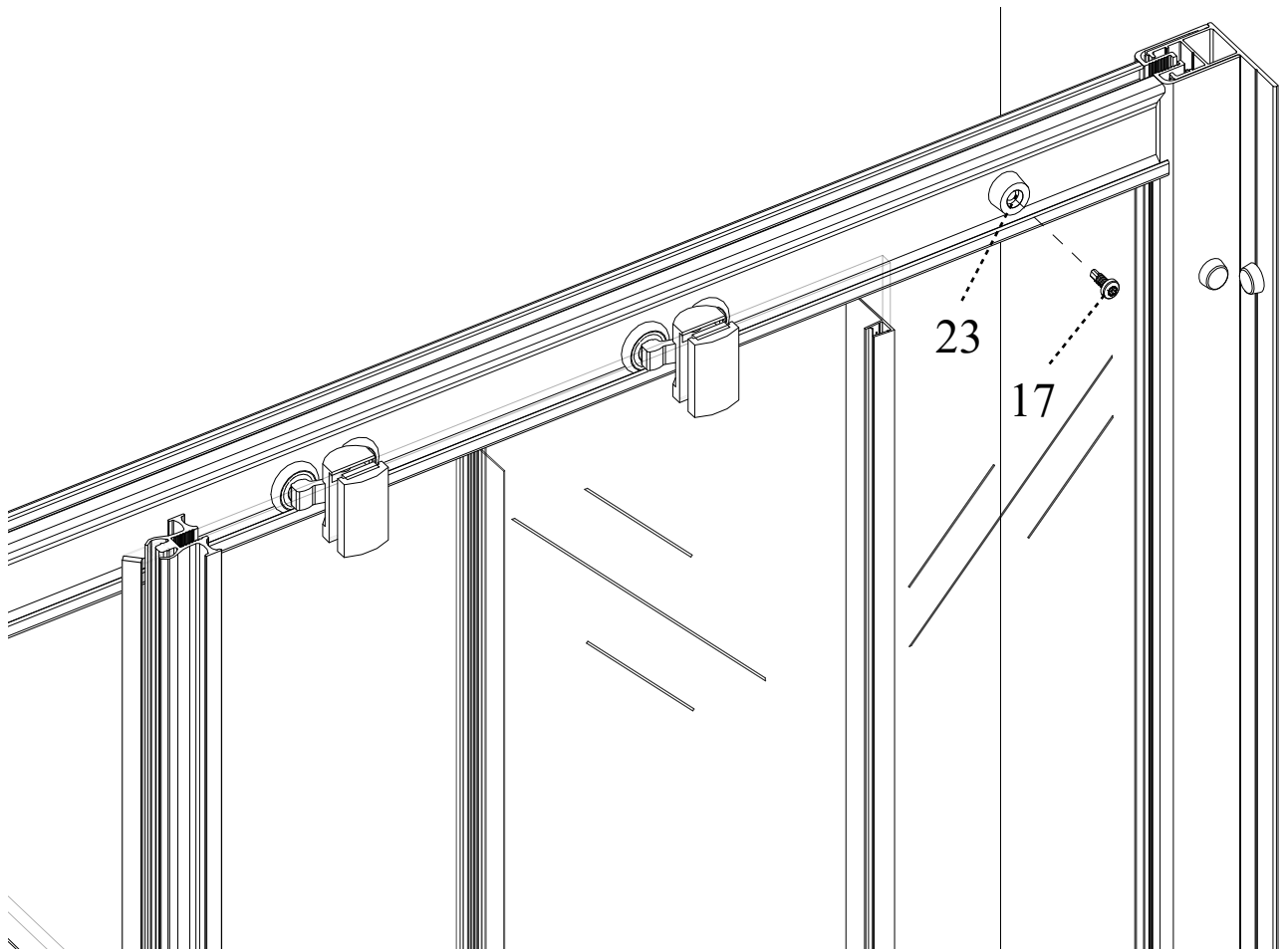
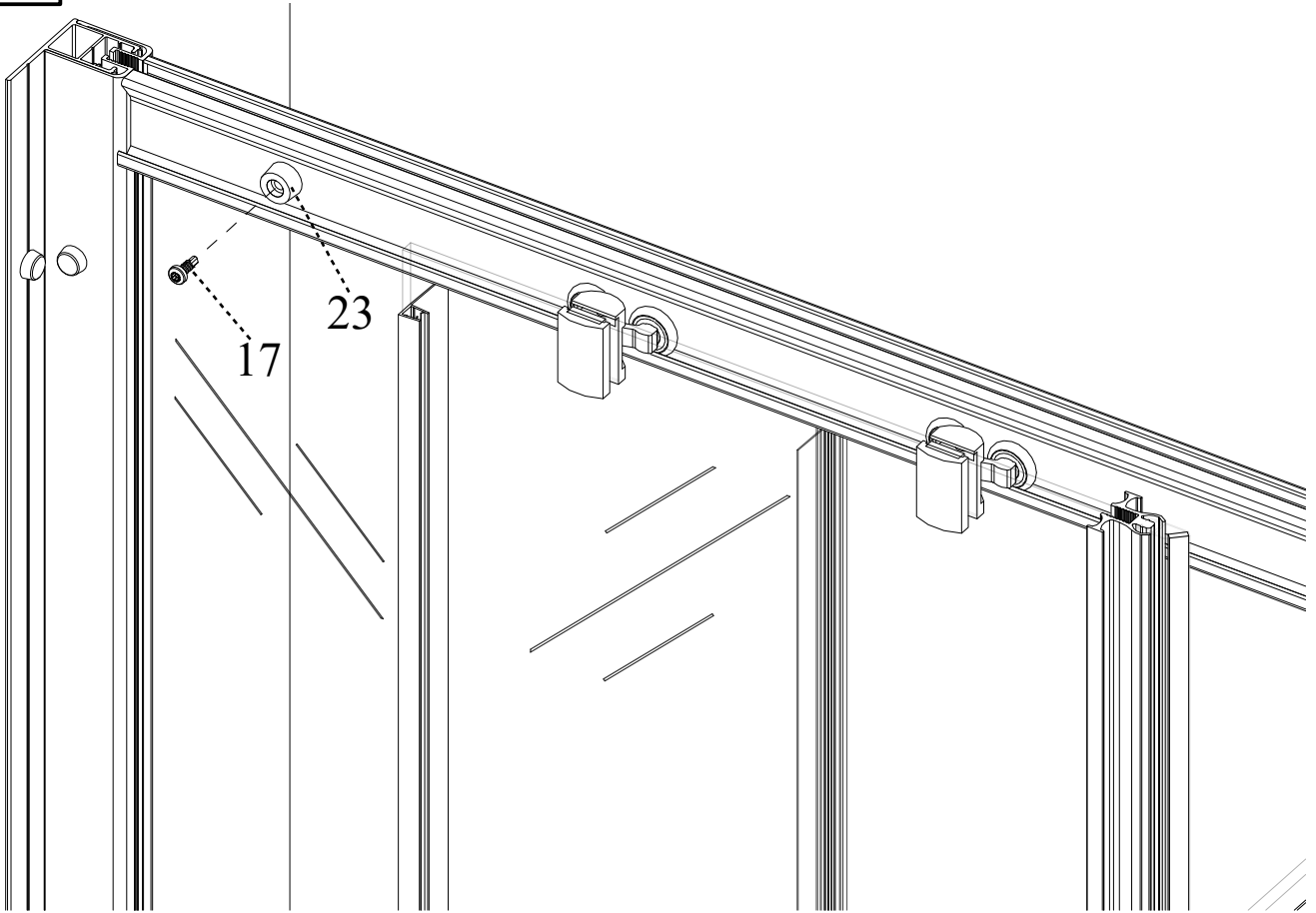
3.7



3.8



3.9



3.10

