

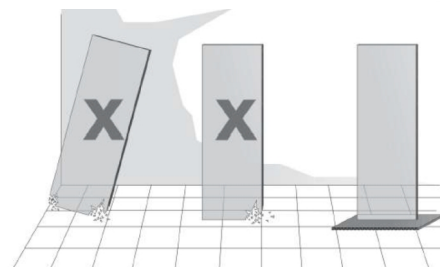
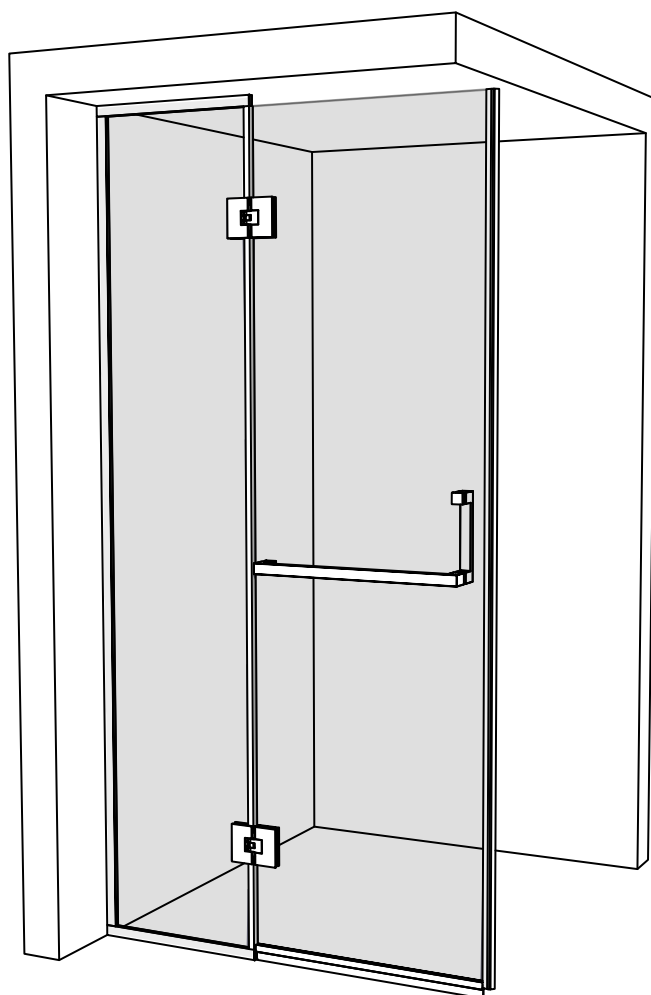
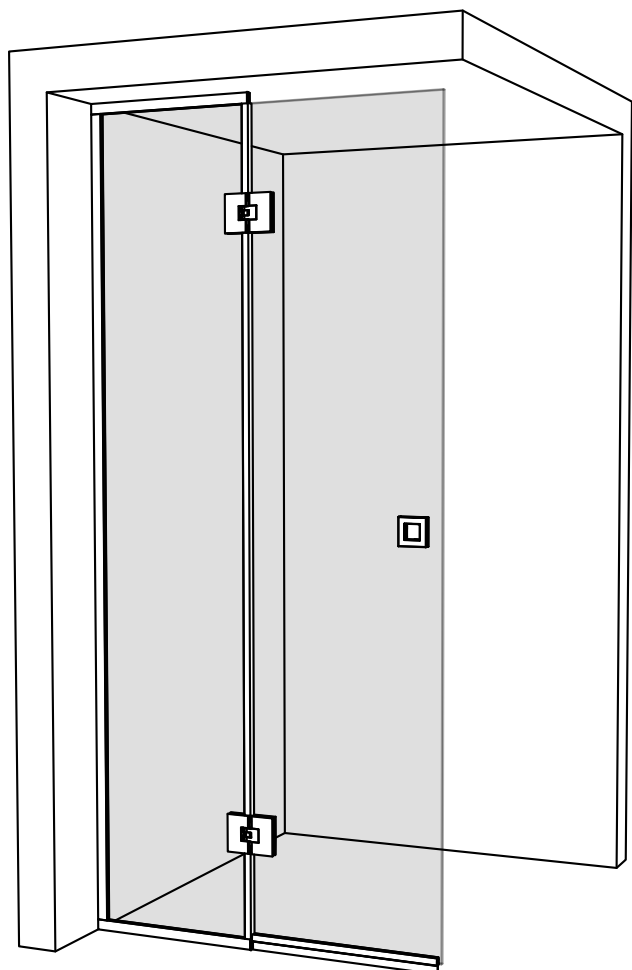


# VETRO 517/520

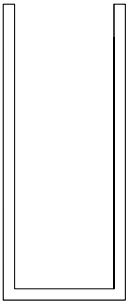


517

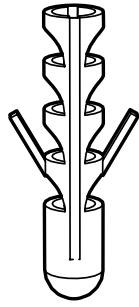
520



# Parts

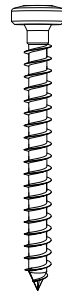


1. x3



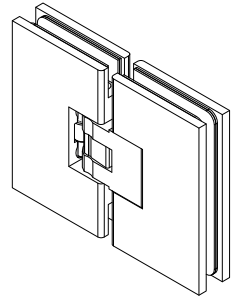
4/83 31RLM

2. 5x25 mm  
x7



4/83 14RLM

3. 5x39 mm  
x7



8/65 122LM

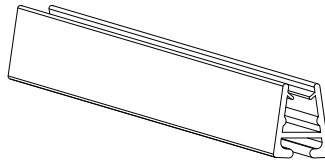
4. x2



5. x1

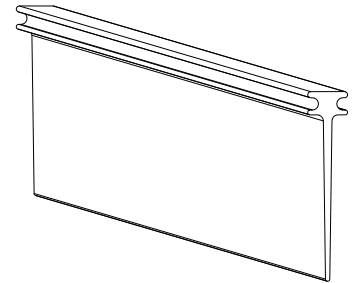


6. x1



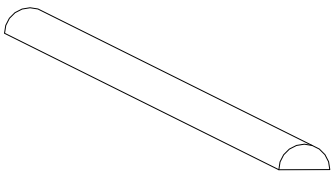
1/42 70RLM

7. x1



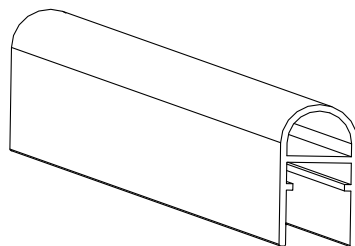
8/45 11RLM

8. x1



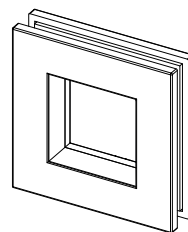
8/85 51RLM

9. x5



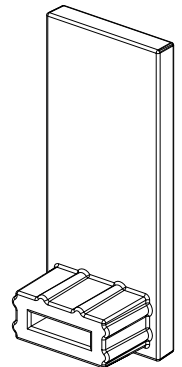
1/42 H0RLM

10. x1



8/65 482LM

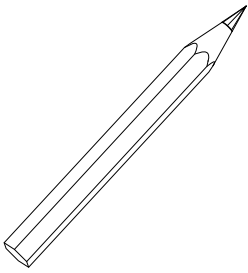
11. x1



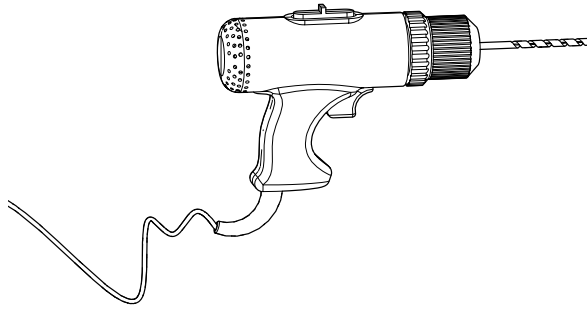
4/83 99RLM

12. x2

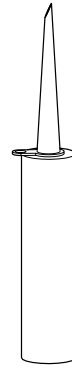
# Tools



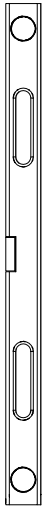
A



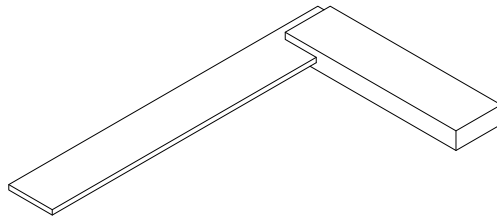
Ø5 mm  
B



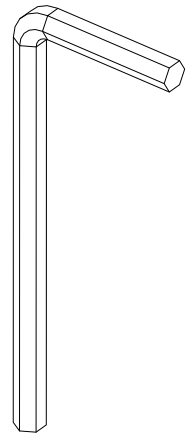
C – Silicone  
D – Glue



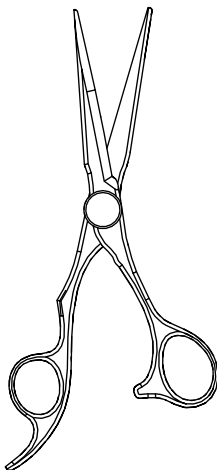
E



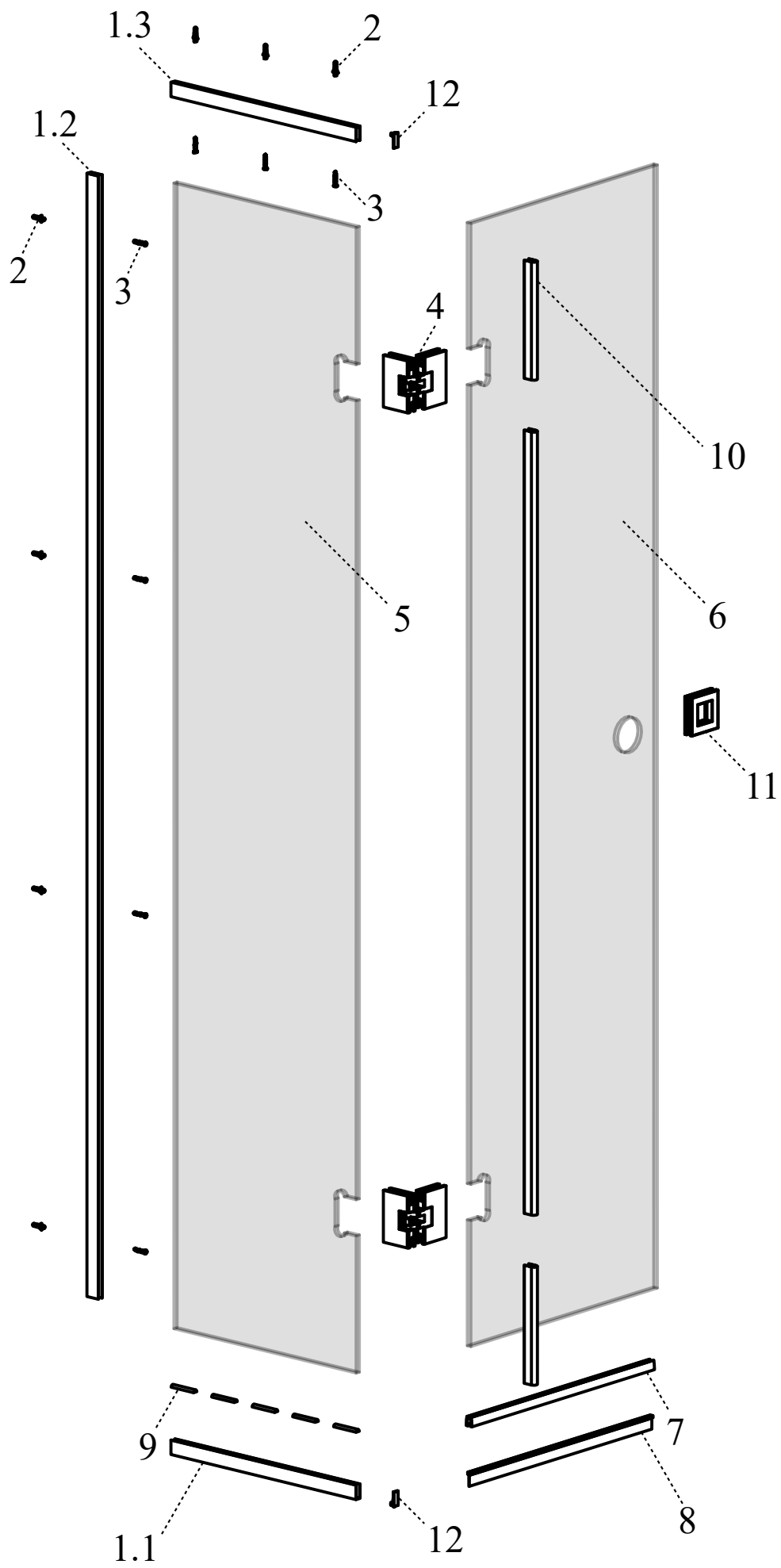
F



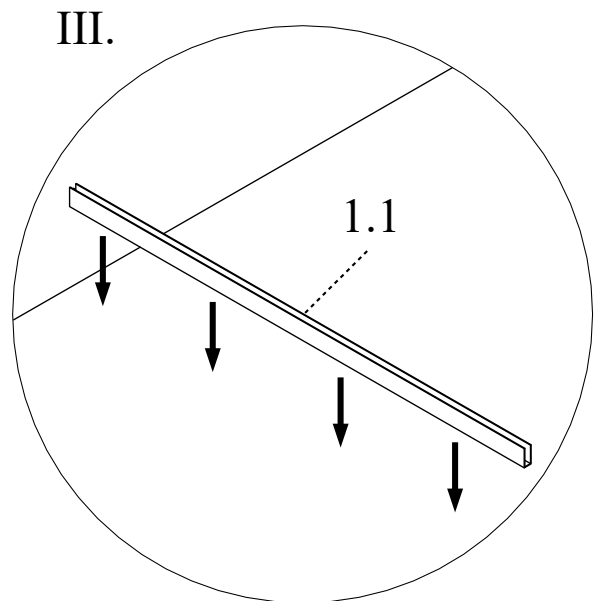
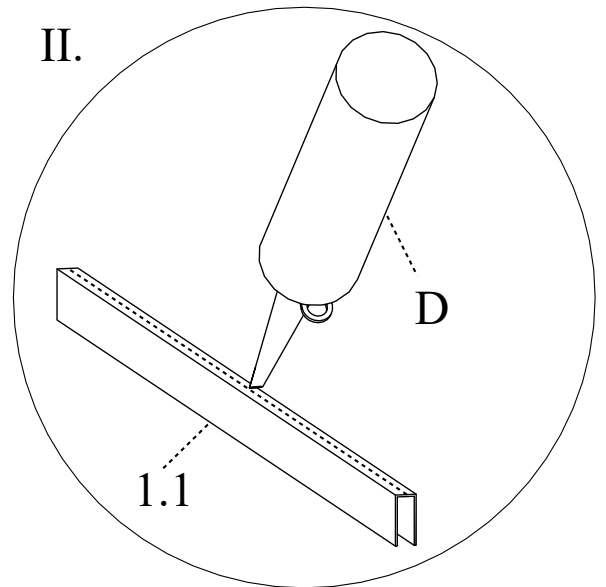
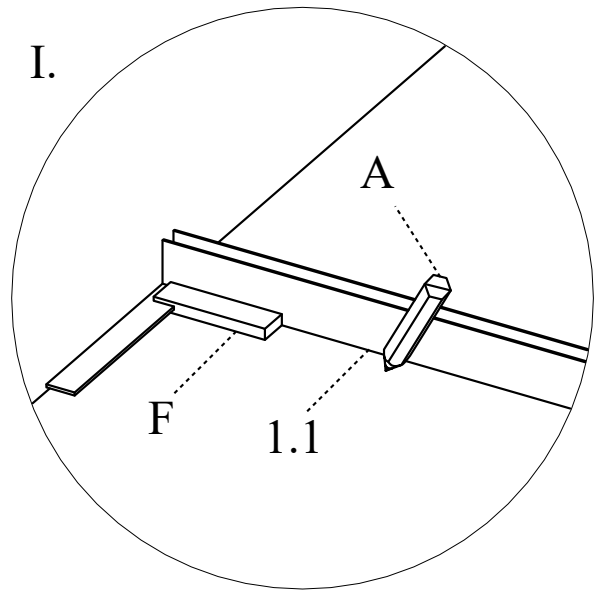
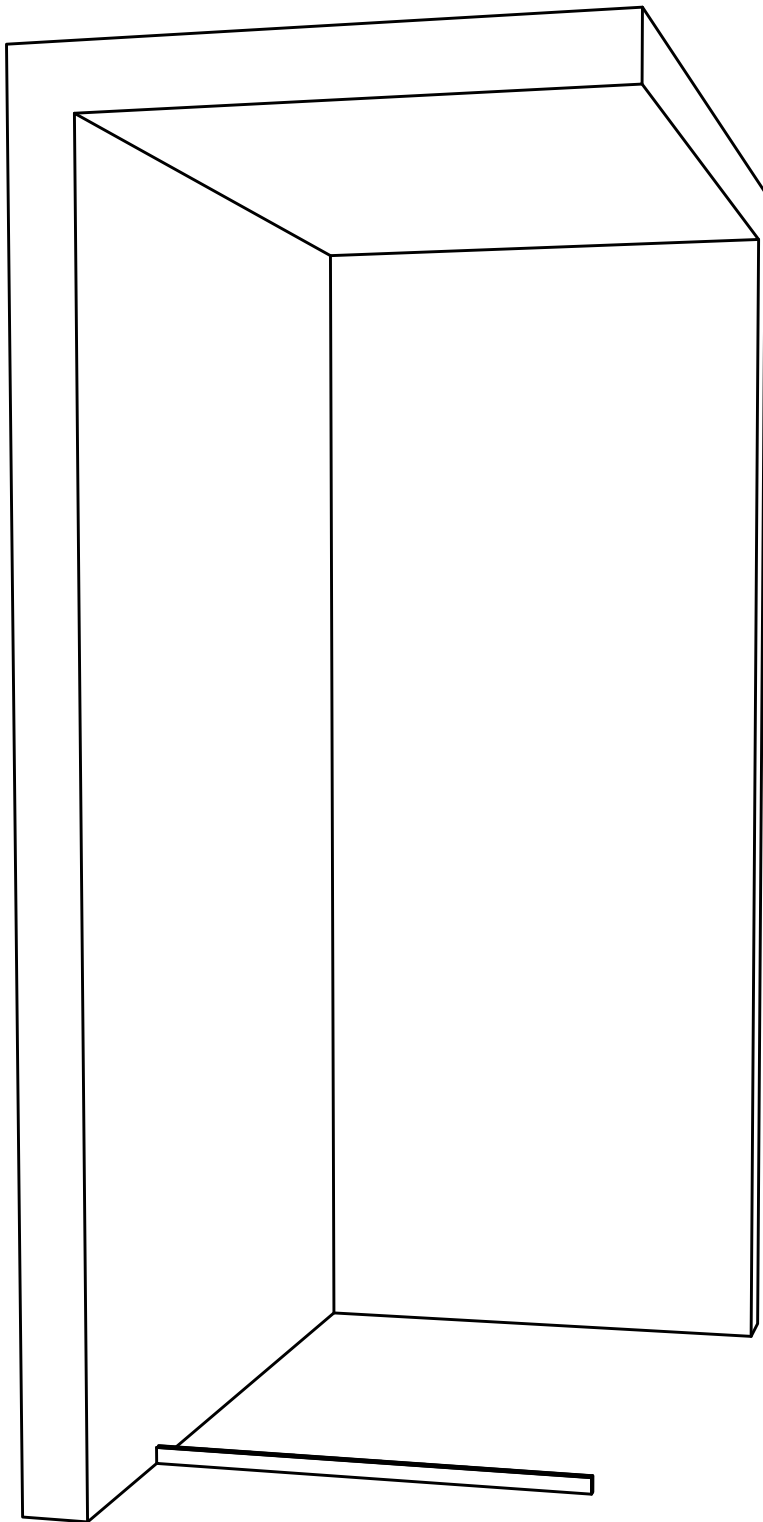
G



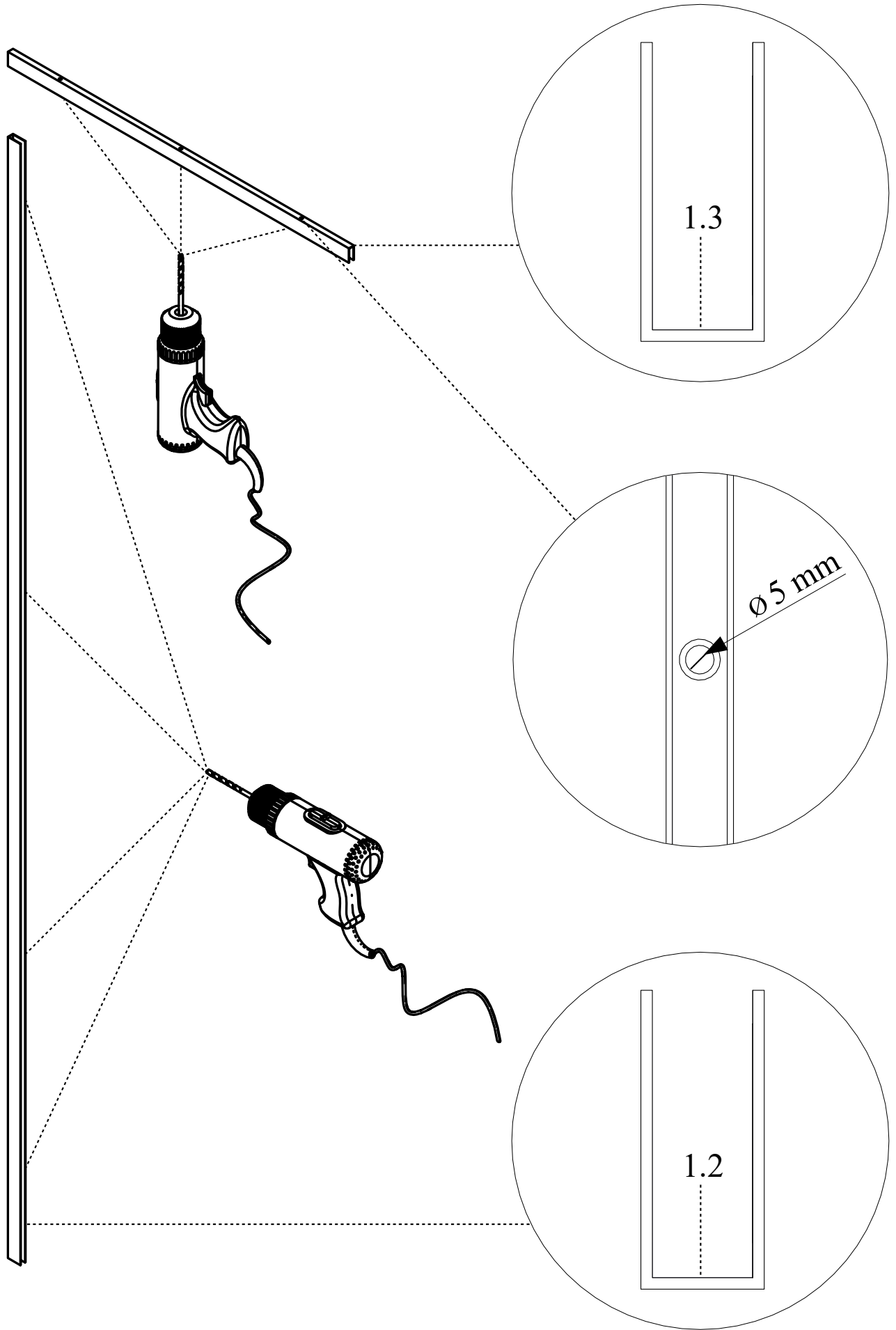
H

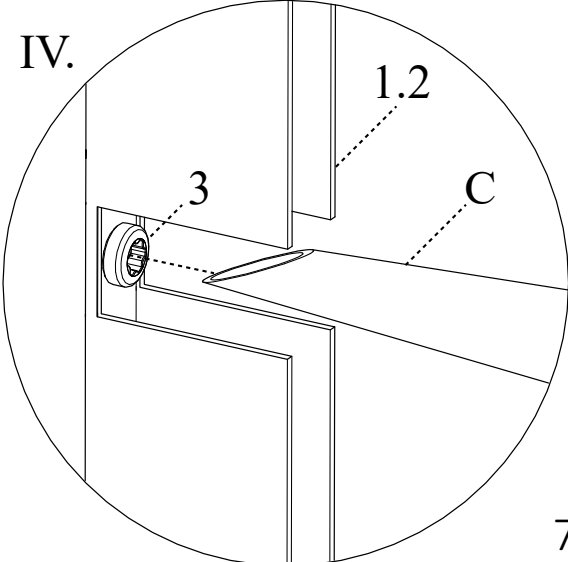
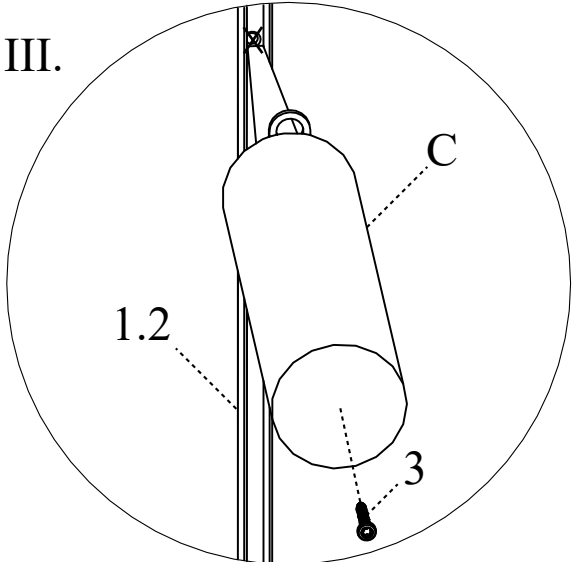
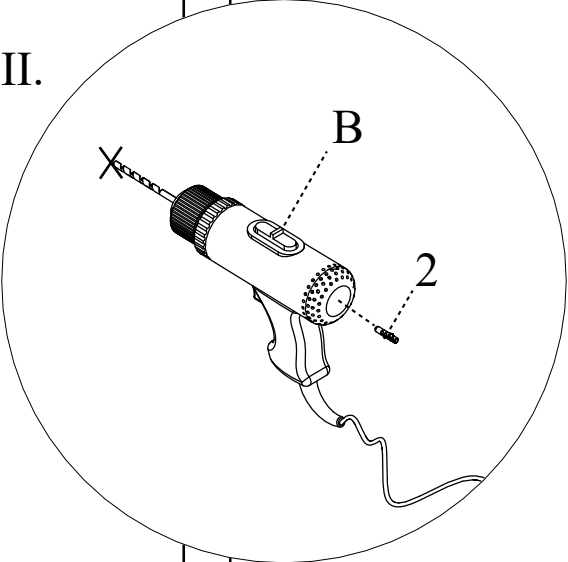
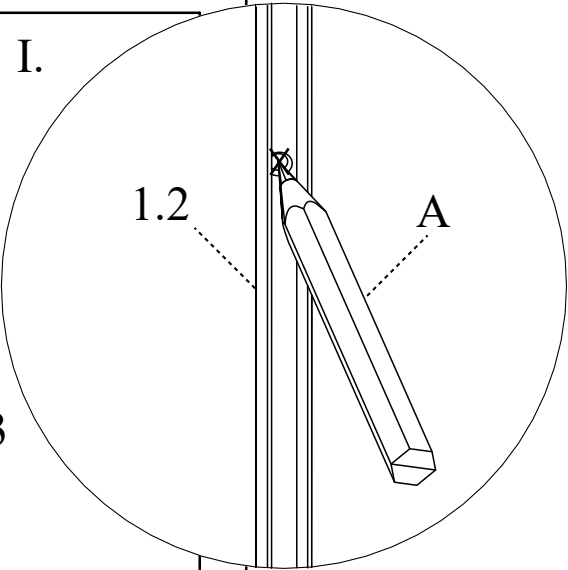
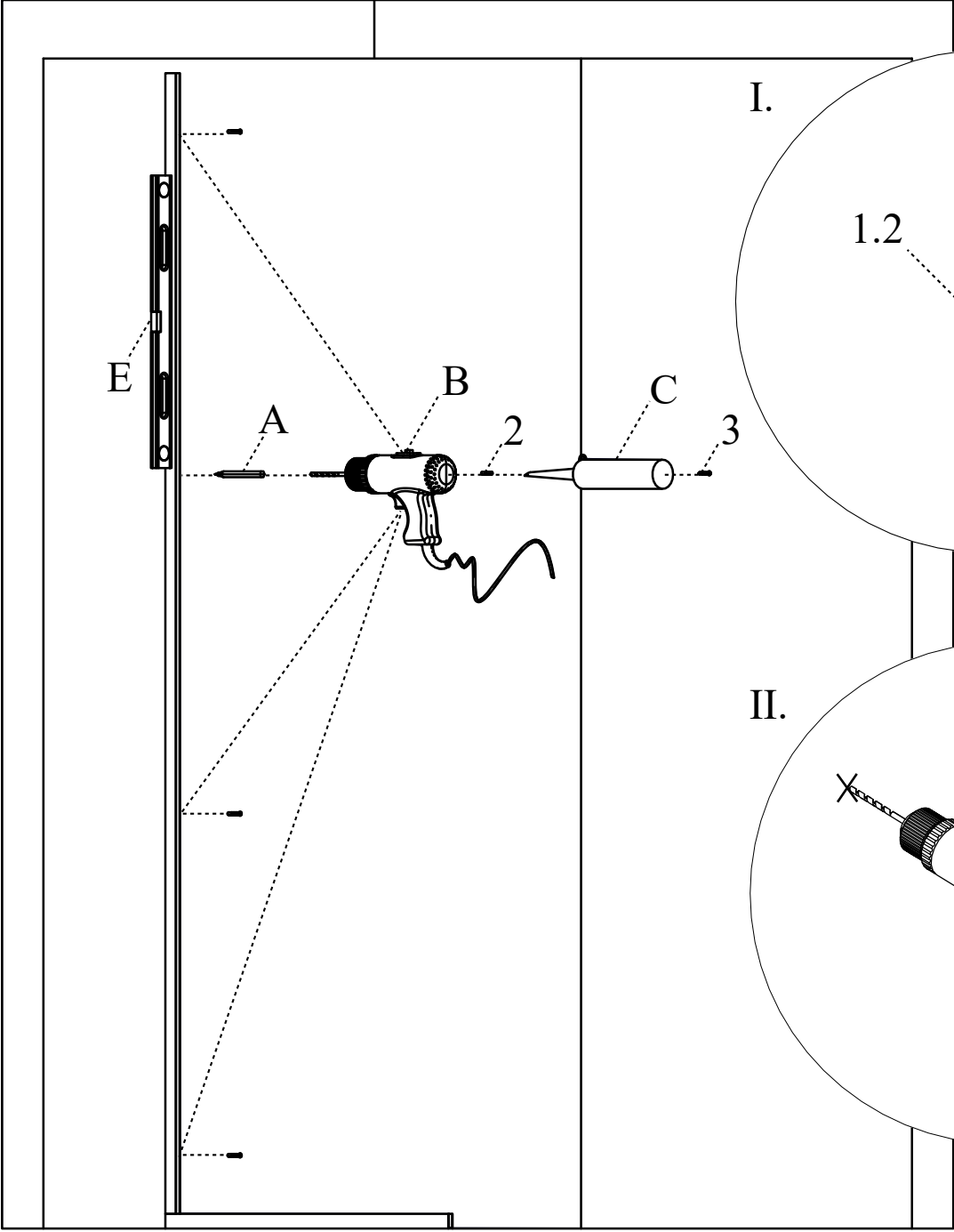


1

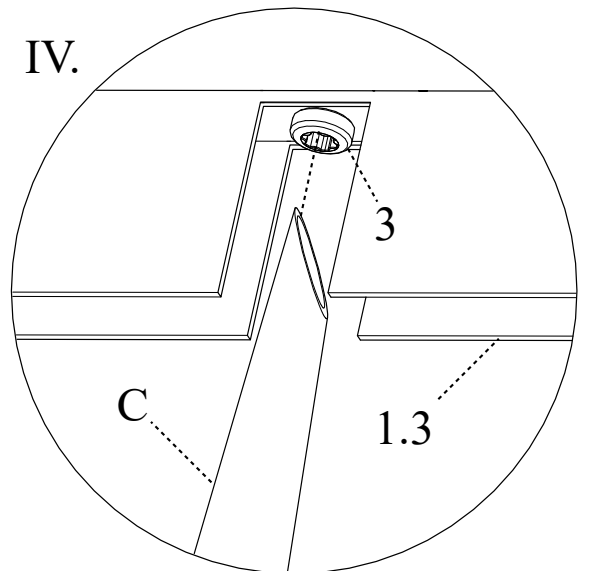
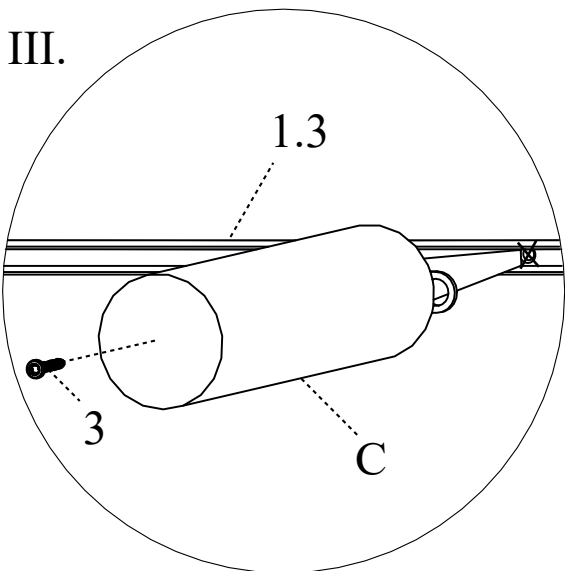
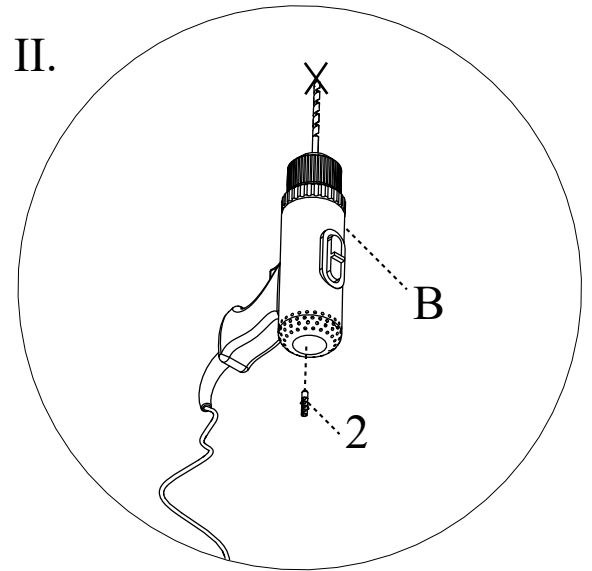
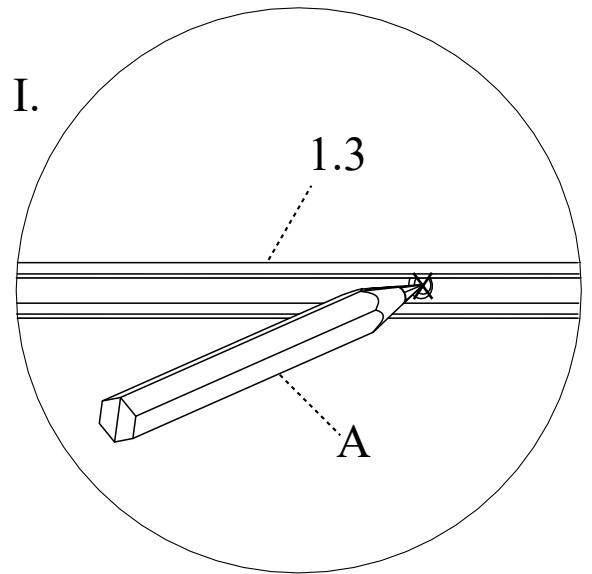
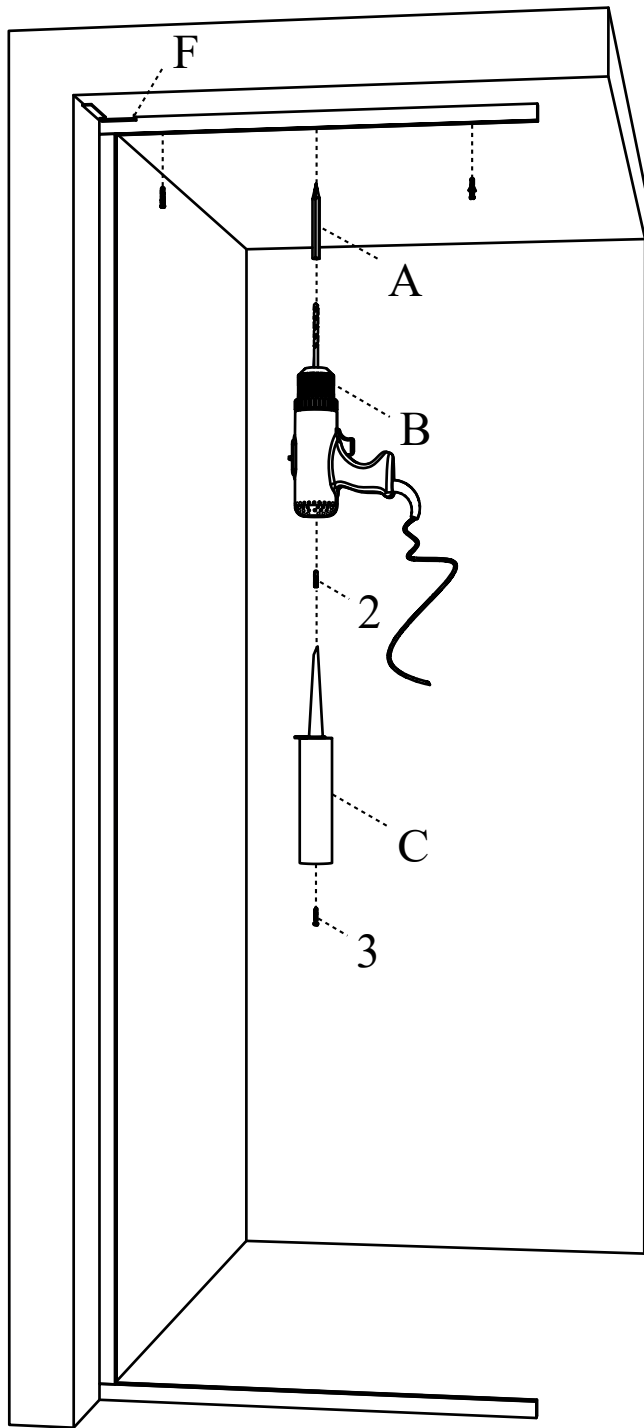


2



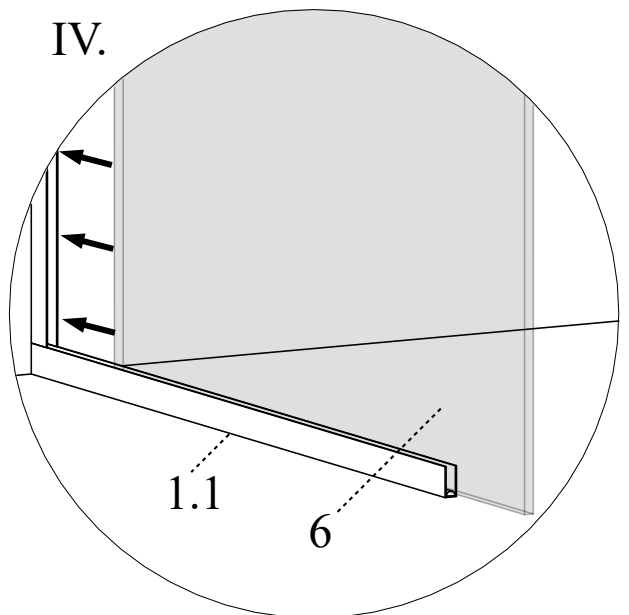
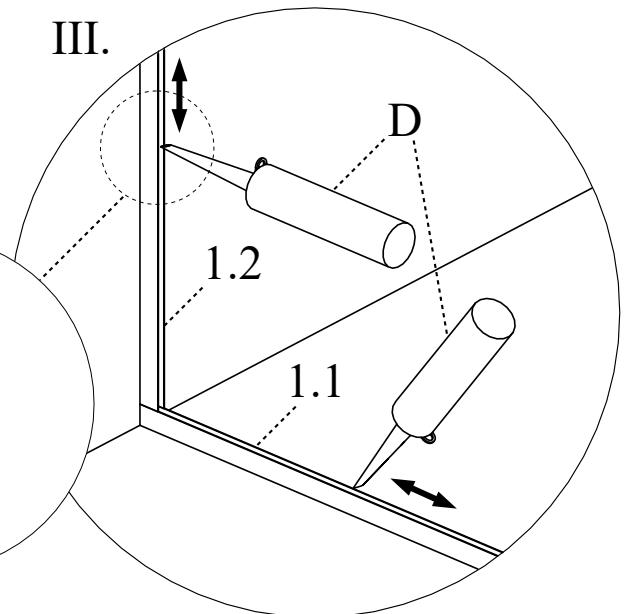
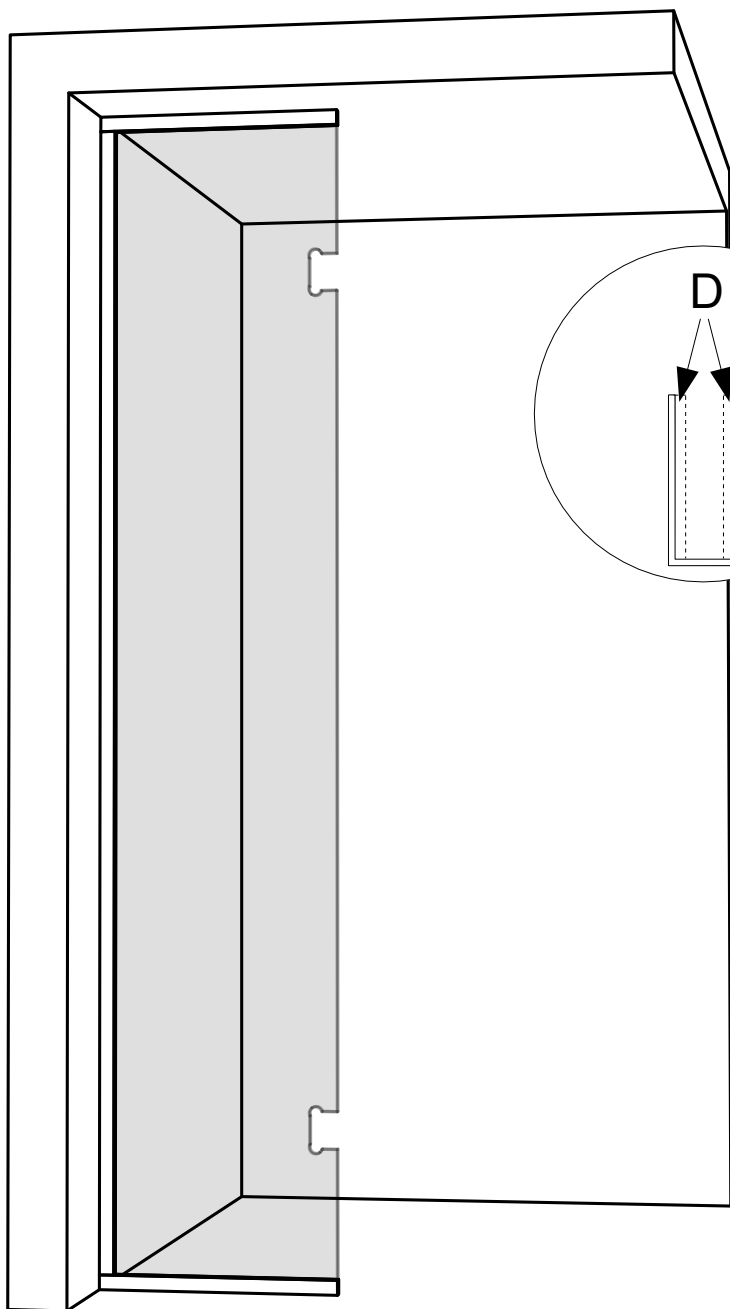
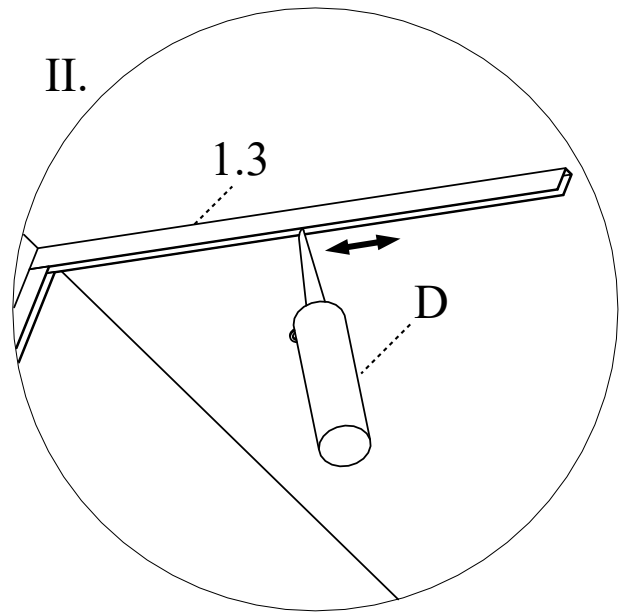
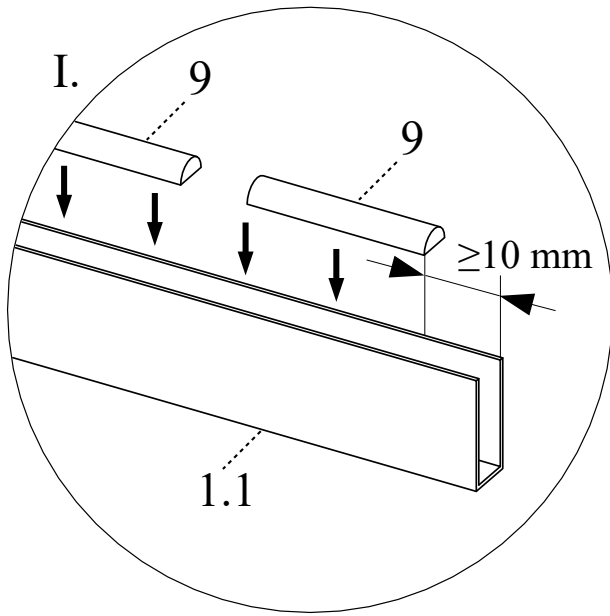


4

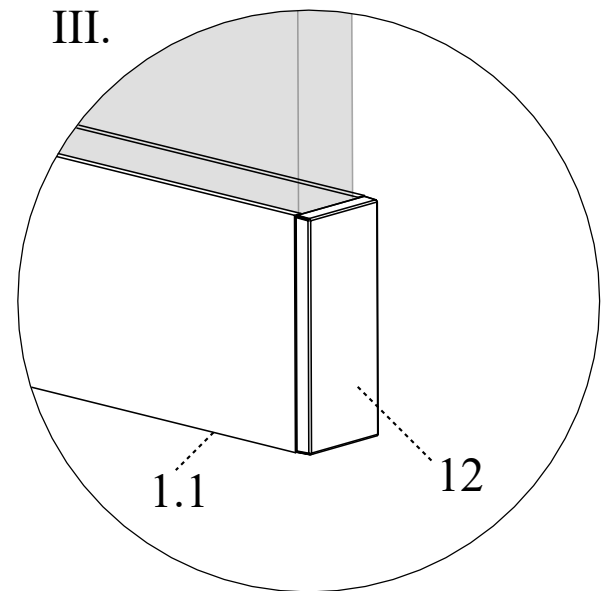
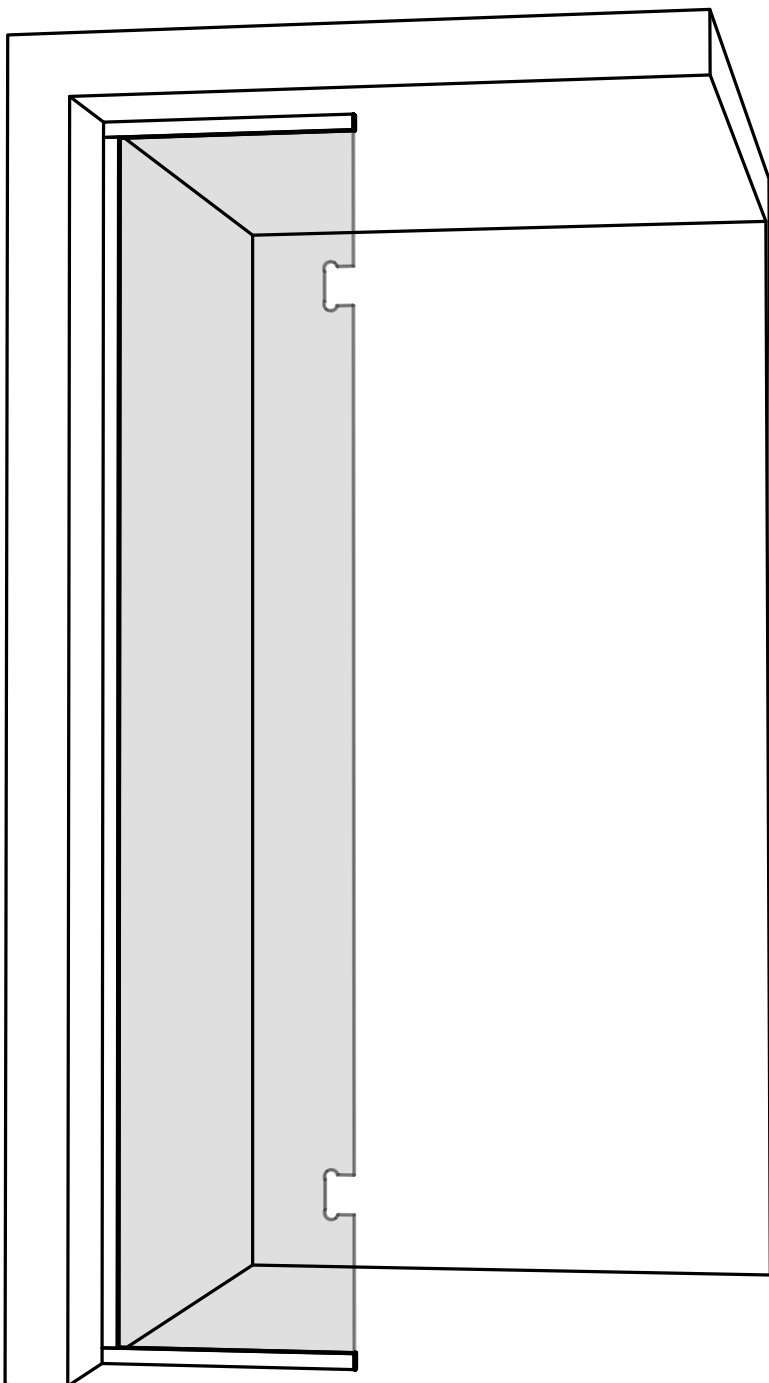
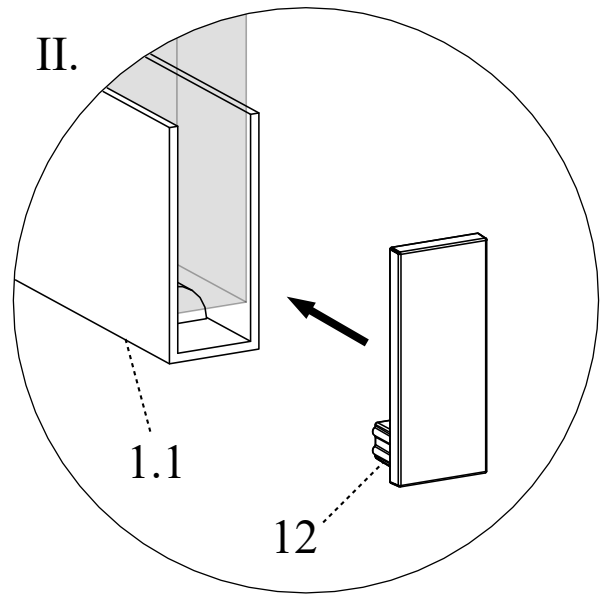
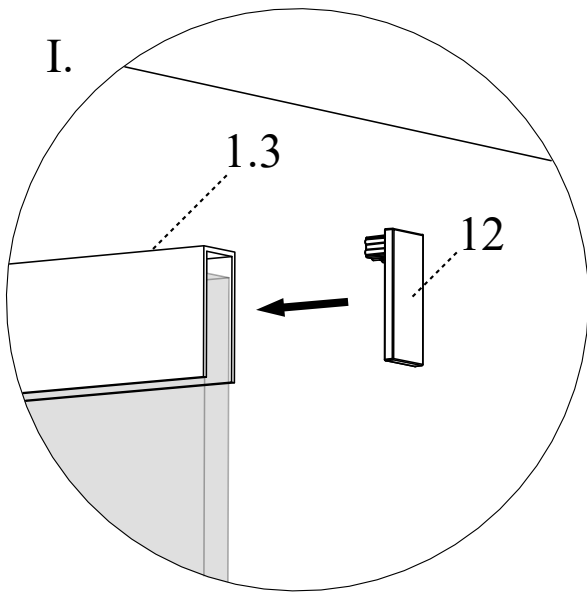




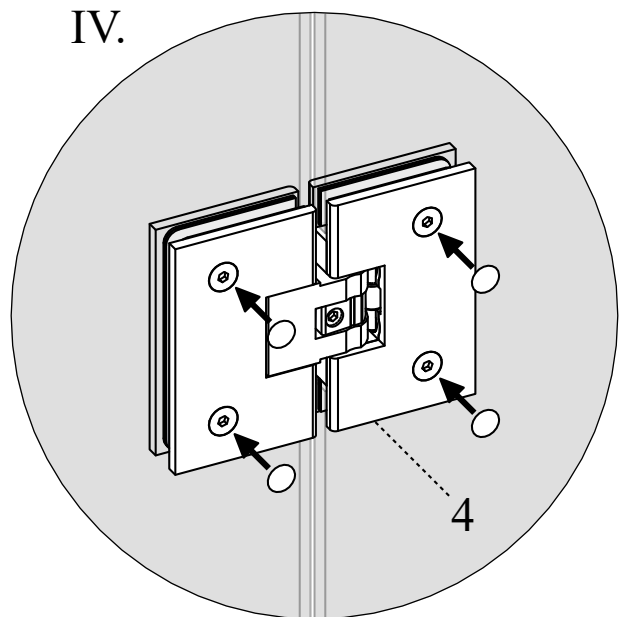
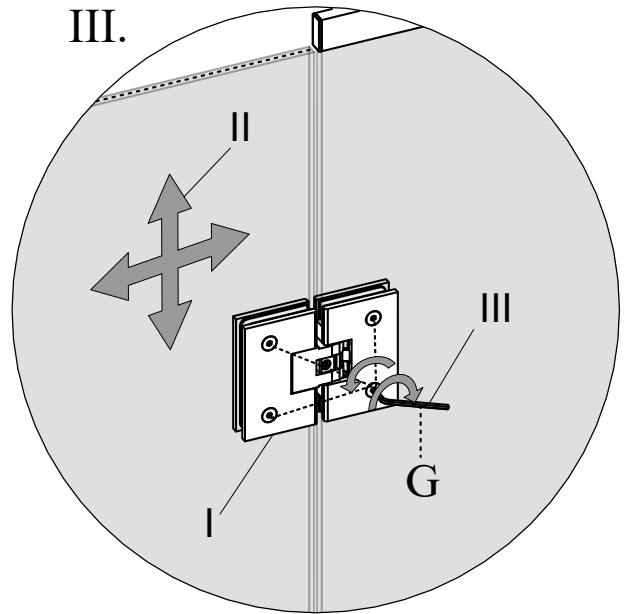
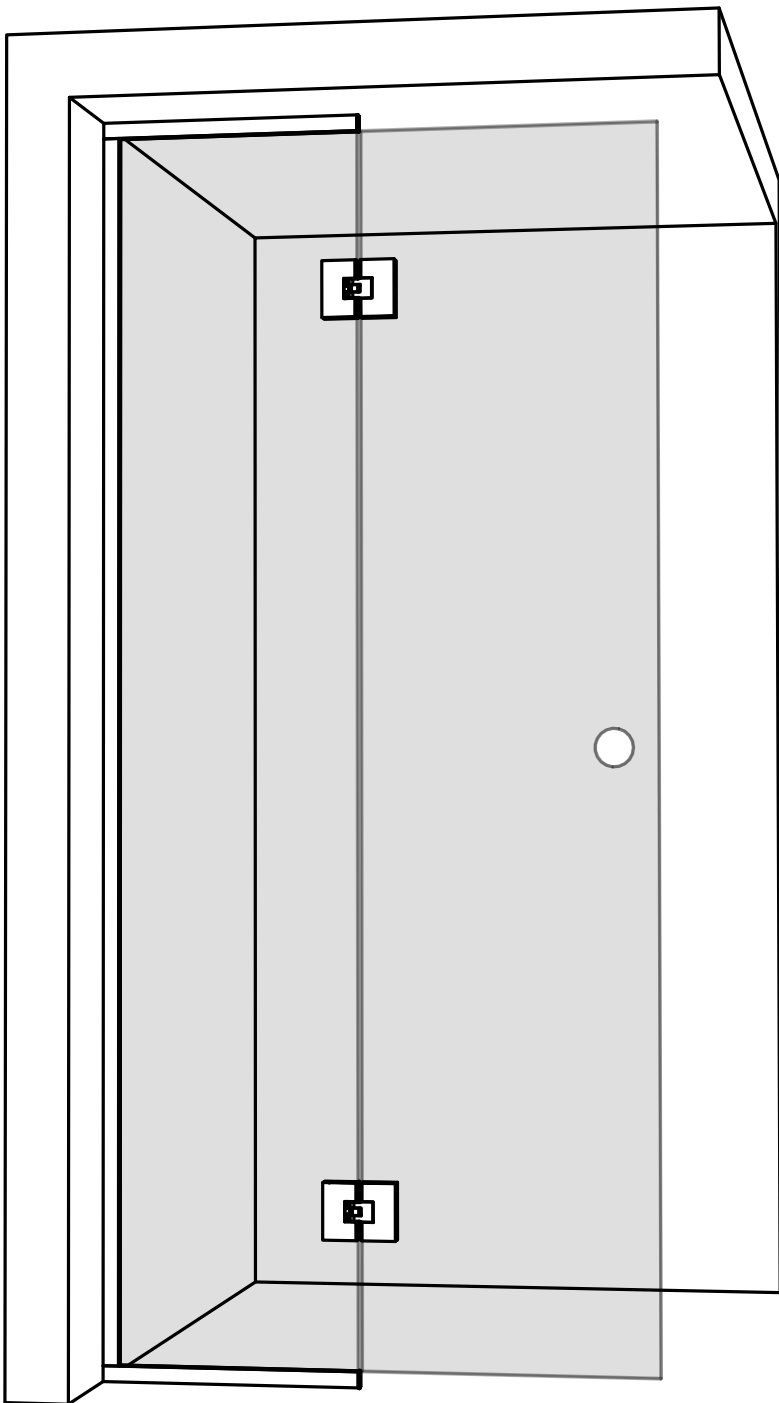
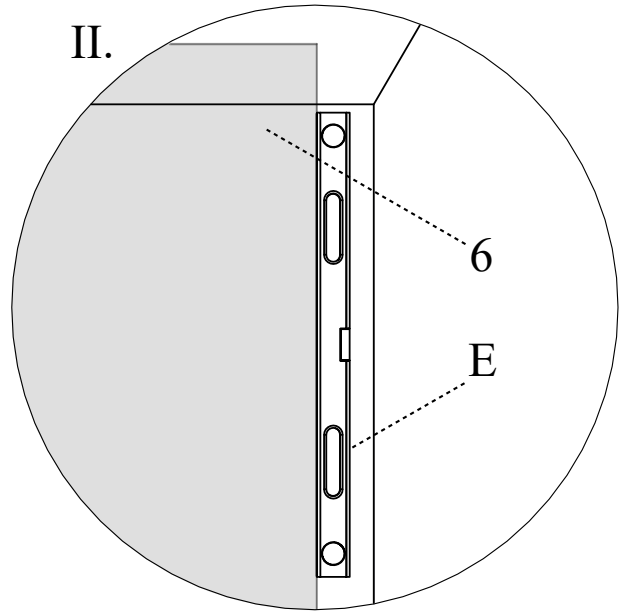
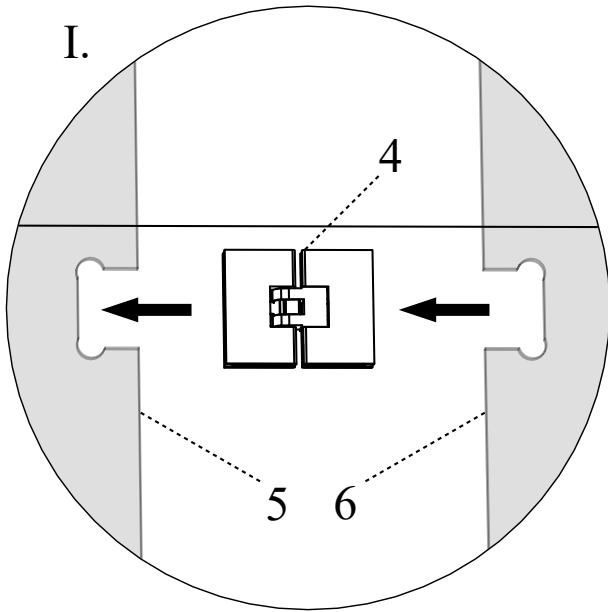
5



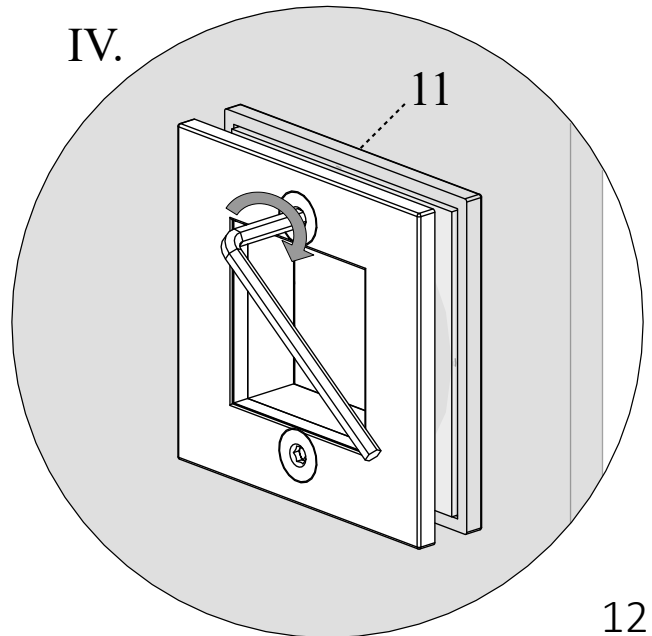
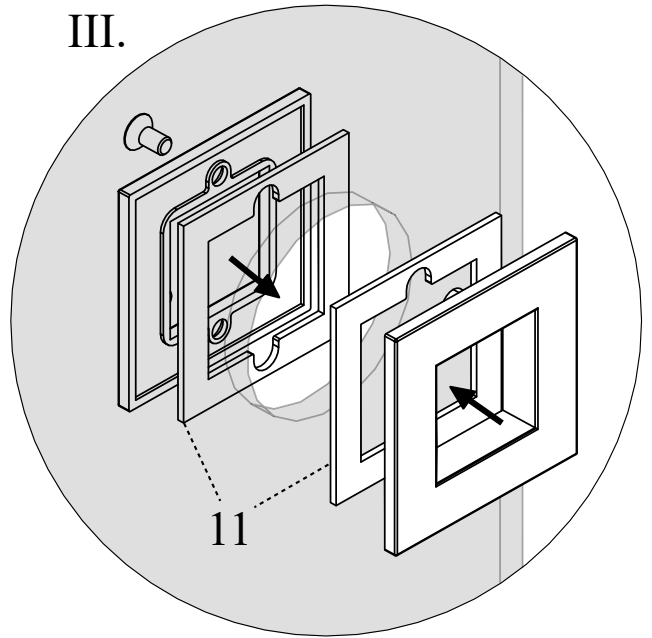
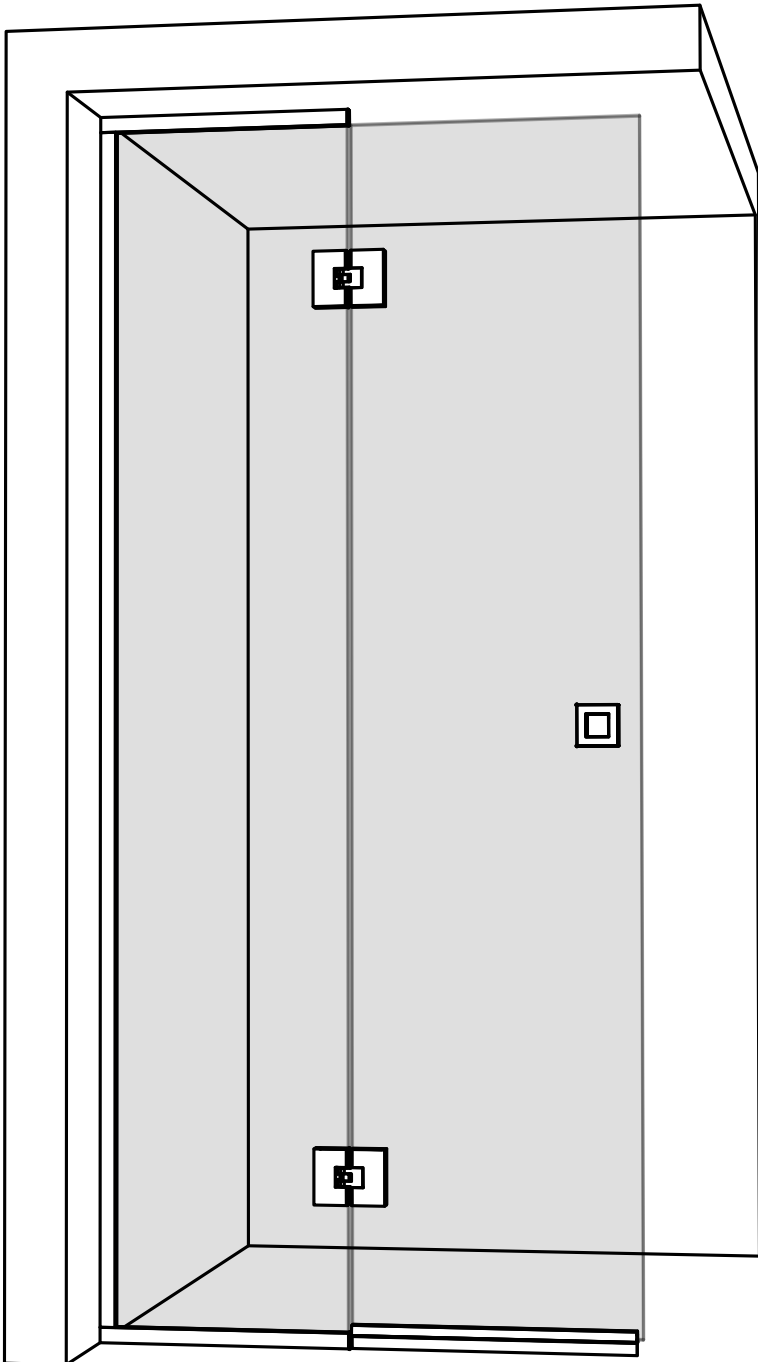
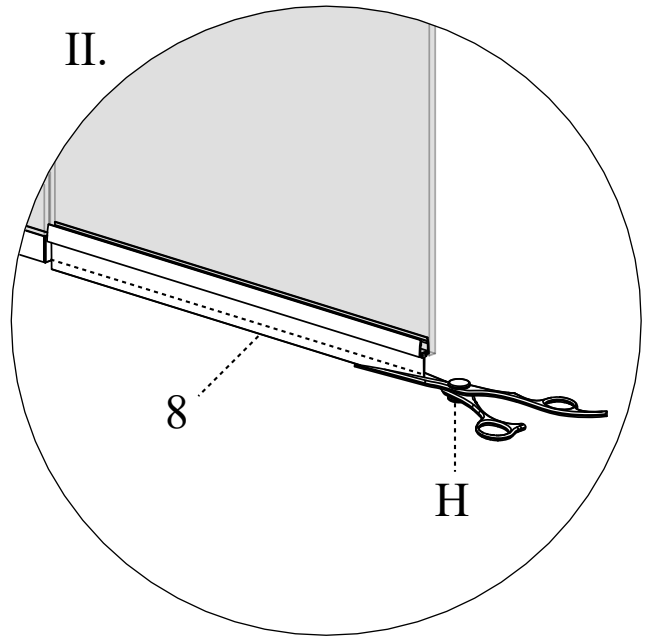
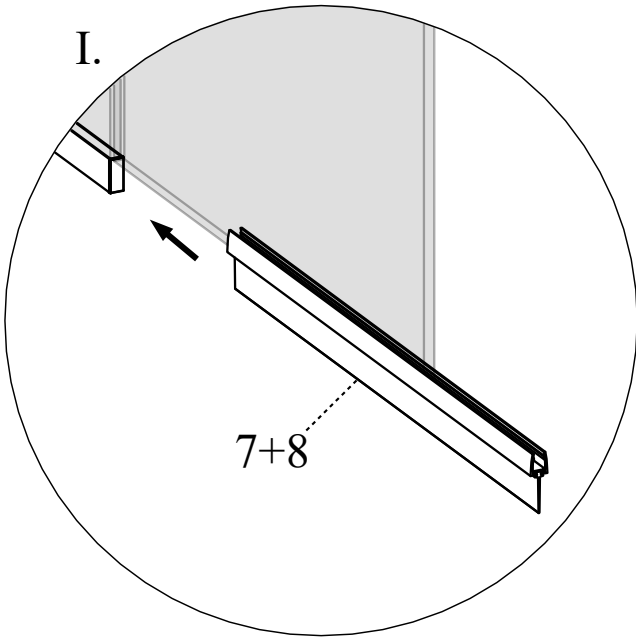
6



7

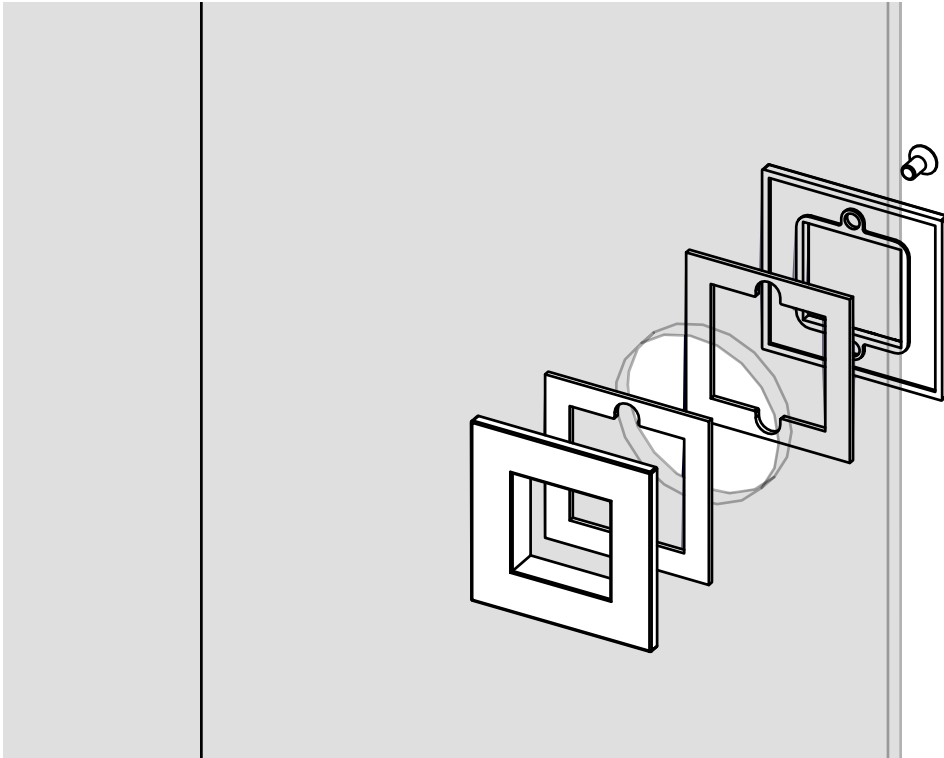


8



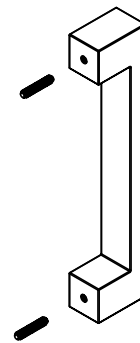
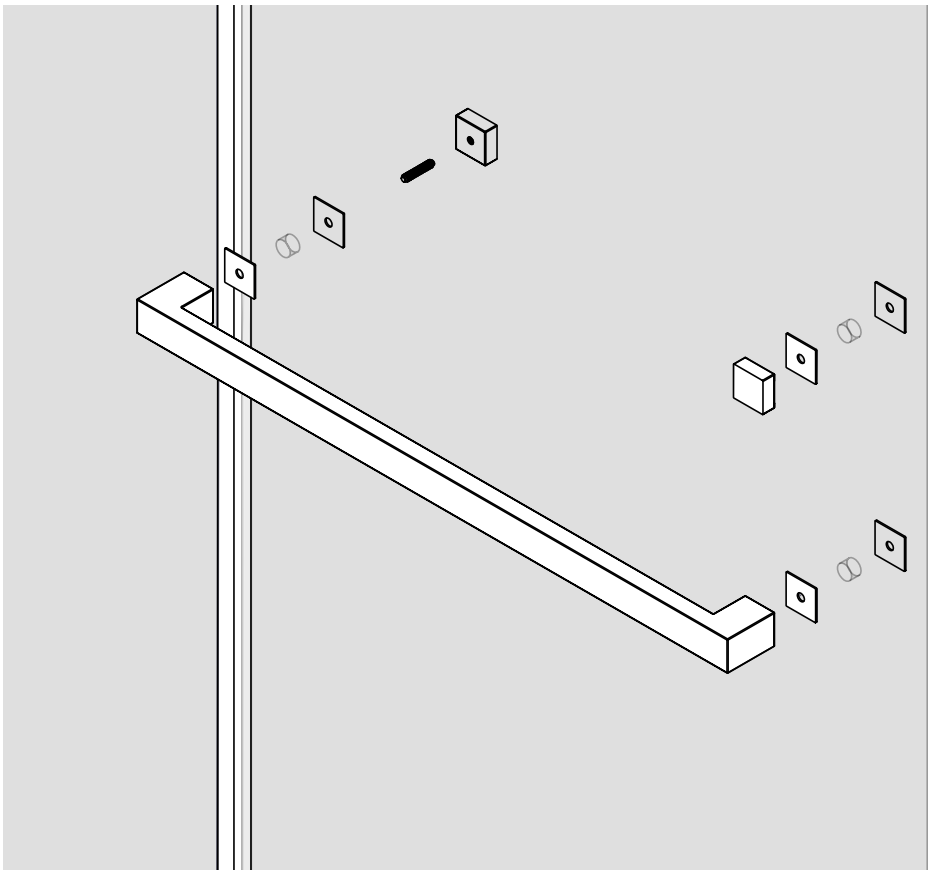
9

I.



512/513/514/517

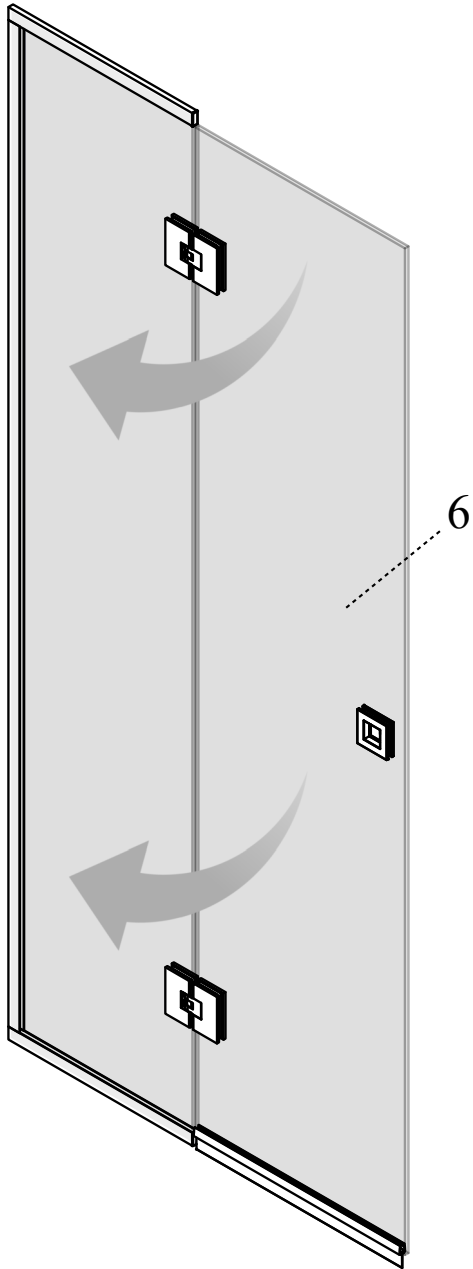
II.



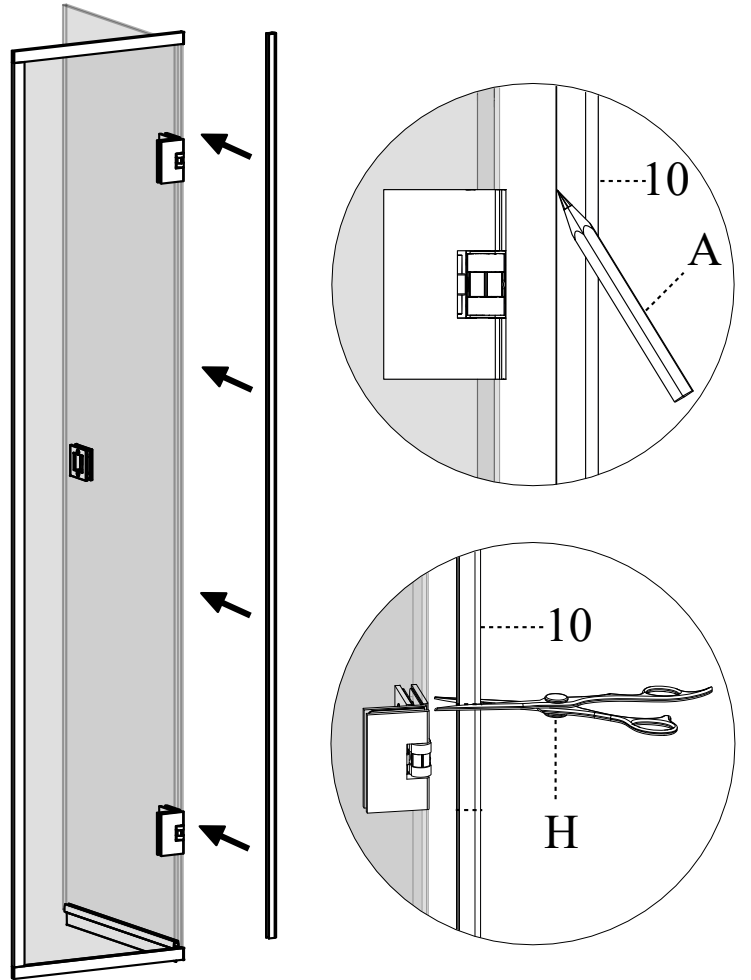
520/521

10

I.



II.



III.

